

EPSILON XCHANGE™ Tool Changer ER80/ET100

ER80/ET100 is an automatic tool changing assembly for exchanging robotic end-of-arm tooling (EOAT) on the fly.

Advantages:

- High Strength Aluminum Alloy Body
- Cam Locking Mechanism with **Lifetime Guarantee**
 - Self-Centering
 - Wear Compensating
 - Self-Cleaning
 - Positive Cam Retraction
 - Mechanical Locking (Loss of Air)
- Flexible Utility Options
- Couple/Uncouple Sensing

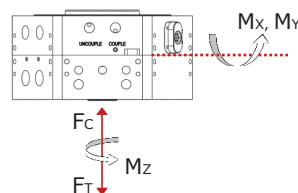


SPECIFICATIONS

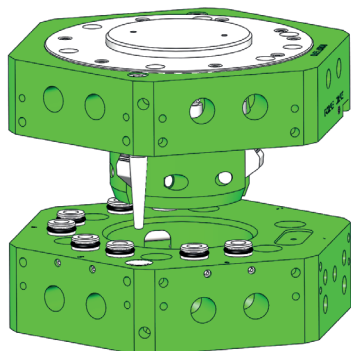
Model	Rated Payload	Operating Moment (Mx, My)	E-Stop Moment (Mx, My)	Operating Torque (Mz)	E-Stop Torque (Mz)	Tensile Force (Ft)	Compressive Force (Fc)	Rotational Repeatability	User Pneumatic Flow (at 60 psi)	User Pneumatic Pressure Range	Couple/Uncouple Sensing Voltage
	kg (lb)	Nm (in-lb)	Nm (in-lb)	Nm (in-lb)	Nm (in-lb)	N (lb)	N (lb)		deg.	NLPM (SCFM)	bar (psi)
E31.5	10 (22)	52 (465)	79 (700)	30 (265)	60 (530)	934 (210)	4,159 (935)	± 0.04	179 (6.9)	0 - 7 (0 - 101)	10 - 30
E50	25 (55)	88 (780)	168 (1,486)	120 (1,060)	375 (3,320)	3,336 (750)	17,837 (4,010)	± 0.02	285 (11.0)	0 - 7 (0 - 101)	10 - 30
E63	50 (110)	112 (990)	168 (1,486)	220 (1,945)	375 (3,320)	3,336 (750)	17,837 (4,010)	± 0.02	285 (11.0)	0 - 7 (0 - 101)	10 - 30
E80	90 (198)	465 (4,120)	890 (7,880)	640 (5,665)	1,585 (14,025)	13,345 (3,000)	31,649 (7,115)	± 0.01	376 (14.5)	0 - 7 (0 - 101)	10 - 30
E100	120 (264)	548 (4,850)	890 (7,880)	960 (8,495)	1,585 (14,025)	13,345 (3,000)	31,649 (7,115)	± 0.01	376 (14.5)	0 - 7 (0 - 101)	10 - 30
E125LP	225 (495)	1,737 (15,370)	2,875 (25,459)	2,020 (17,875)	3,953 (34,985)	15,750 (3,540)	49,370 (11,100)	± 0.01	Contact Application Engineering	0 - 7 (0 - 101)	10 - 30
E125	350 (770)	2,576 (22,800)	4,817 (42,631)	4,180 (36,995)	5,110 (45,225)	24,754 (5,565)	127,998 (28,775)	± 0.01	N/A	N/A	22 - 28
E160	525 (1,155)	3,775 (33,405)	5,787 (51,220)	4,800 (42,480)	5,945 (52,615)	37,120 (8,345)	160,003 (35,970)	± 0.01	N/A	N/A	22 - 28
E160 (STL)*	600 (1,320)	4,300 (38,060)	9,095 (80,490)	4,800 (42,480)	5,945 (52,615)	37,120 (8,345)	160,003 (35,970)	± 0.01	N/A	N/A	22 - 28
ES160	800 (1,760)	5,649 (50,000)	11,322 (100,215)	5,280 (46,730)	6,690 (59,210)	49,486 (11,125)	160,003 (35,970)	± 0.01	N/A	N/A	22 - 28
ES200	1,500 (3,300)	15,097 (133,620)	17,998 (159,300)	11,660 (103,200)	14,590 (129,130)	96,393 (21,670)	246,031 (55,310)	± 0.01	N/A	N/A	22 - 28
ES315	2,331 (5,140)	43,135 (381,773)	75,533 (668,525)	31,144 (275,645)	48,882 (432,640)	144,585 (32,503)	494,056 (111,064)	± .01	N/A	N/A	22 - 28

*E160 (STL) utilizes a steel tool adaptor and an aluminum robot adaptor.

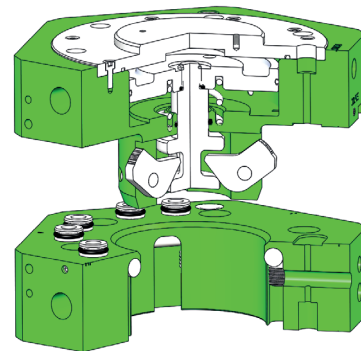
Operating Temperature: **5 - 60 °C (40 - 140 °F)**
 Noise Emissions: **≤ 70 dB(A) in any direction**
 Supply Pressure: **5 - 7 bar (72 - 101 psi)**



SECTIONAL DIAGRAM



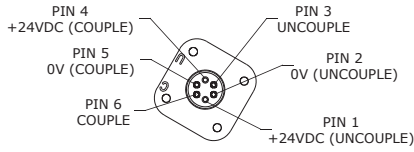
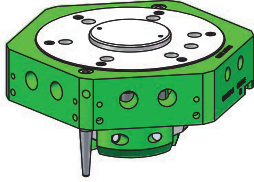
Applied Robotics XCHANGE™ automatic tool changing technology allows for exchanging robotic end-of-arm tooling (EOAT) on the fly without shutting down production lines. Not only does this add efficiency to processes requiring frequent connection/disconnection of tooling and support utilities, but also reduces the probability of human errors introduced by manual connections.



PRODUCT INFORMATION

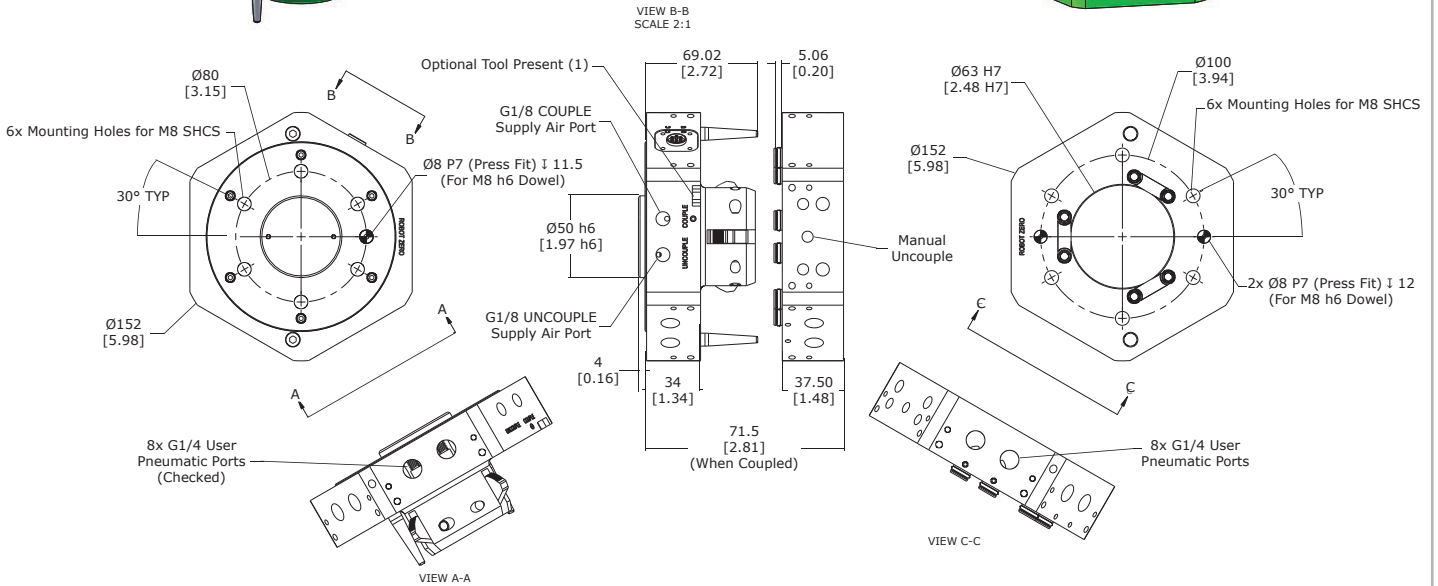
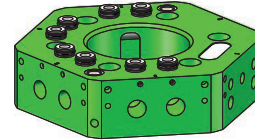
ROBOT ADAPTOR

ROBOT ADAPTOR WEIGHT: 1.52 kg [3.34 lb]



TOOL ADAPTOR

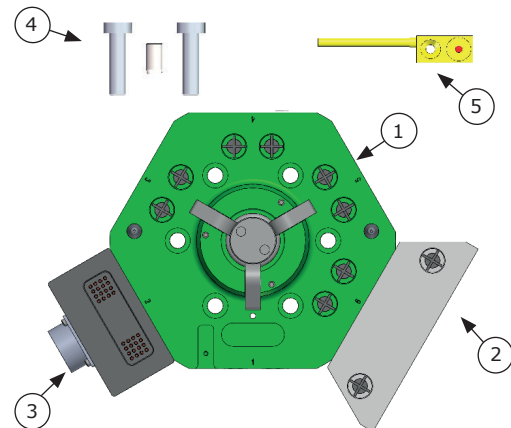
TOOL ADAPTOR WEIGHT: 1.22 kg [2.68 lb]



NOTE: Dimensions are mm [in]

OPTIONAL UTILITIES

1. 8x G1/4 User Pneumatic Ports (Checked on Robot Side)
2. Additional Pneumatic Passthru
3. Electrical Passthru (Signal, Communication, etc.)
4. Hardware Kit
5. Tool Present Kit



Applied Robotics
648 Saratoga Road
Glenville, NY 12302 USA
Tel. +1 518 384 1000 Fax +1.5183841200
info@appliedrobotics.com
www.appliedrobotics.com



EFFECTO GROUP S.p.A.
Via Roma, 141/143
28017 San Maurizio d'Opaglio (NO) - Italy
Tel. +39 0322 96142 Fax +39 0322 967453
info@effectogroup.com
www.effectogroup.com

