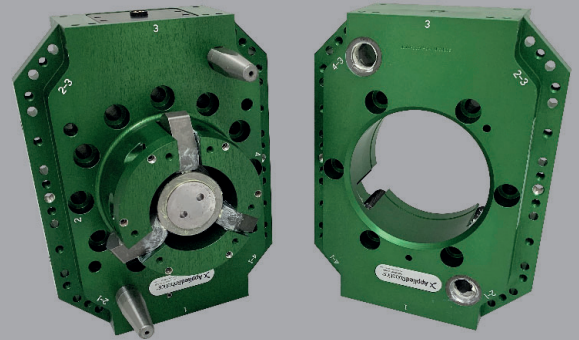


EPSILON XCHANGE™ Tool Changer ER125/ET125

ER125/ET125 is an automatic tool changing assembly for exchanging robotic end-of-arm tooling (EOAT) on the fly.

Advantages:

- High Strength Aluminum Alloy Body
- Cam Locking Mechanism with **Lifetime Guarantee**
 - Self-Centering
 - Wear Compensating
 - Self-Cleaning
 - Positive Cam Retraction
 - Mechanical Locking (Loss of Air)
- Flexible Utility Options
- Couple/Uncouple Sensing with Pressure Detection

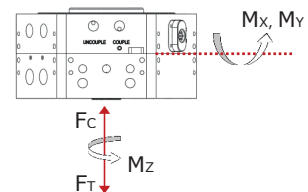


SPECIFICATIONS

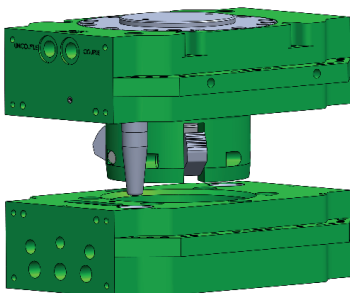
Model	Rated Payload	Operating Moment (Mx, My)	E-Stop Moment (Mx, My)	Operating Torque (Mz)	E-Stop Torque (Mz)	Tensile Force (Ft)	Compressive Force (Fc)	Rotational Repeatability	User Pneumatic Flow (at 60 psi)	User Pneumatic Pressure Range	Couple/ Uncouple Sensing Voltage
	kg (lb)	Nm (in-lb)	Nm (in-lb)	Nm (in-lb)	Nm (in-lb)	N (lb)	N (lb)	deg.	NLPM (SCFM)	bar (psi)	VDC
E31.5	10 (22)	52 (465)	79 (700)	30 (265)	60 (530)	934 (210)	4,159 (935)	± 0.04	179 (6.9)	0 - 7 (0 - 101)	10 - 30
E50	25 (55)	88 (780)	168 (1,486)	120 (1,060)	375 (3,320)	3,336 (750)	17,837 (4,010)	± 0.02	285 (11.0)	0 - 7 (0 - 101)	10 - 30
E63	50 (110)	112 (990)	168 (1,486)	220 (1,945)	375 (3,320)	3,336 (750)	17,837 (4,010)	± 0.02	285 (11.0)	0 - 7 (0 - 101)	10 - 30
E80	90 (198)	465 (4,120)	890 (7,880)	640 (5,665)	1,585 (14,025)	13,345 (3,000)	31,649 (7,115)	± 0.01	376 (14.5)	0 - 7 (0 - 101)	10 - 30
E100	120 (264)	548 (4,850)	890 (7,880)	960 (8,495)	1,585 (14,025)	13,345 (3,000)	31,649 (7,115)	± 0.01	376 (14.5)	0 - 7 (0 - 101)	10 - 30
E125LP	225 (495)	1,737 (15,370)	2,875 (25,459)	2,020 (17,875)	3,953 (34,985)	15,750 (3,540)	49,370 (11,100)	± 0.01	Contact Application Engineering	0 - 7 (0 - 101)	10 - 30
E125	350 (770)	2,576 (22,800)	4,817 (42,631)	4,180 (36,995)	5,110 (45,225)	24,754 (5,565)	127,998 (28,775)	± 0.01	N/A	N/A	22 - 28
E160	525 (1,155)	3,775 (33,405)	5,787 (51,220)	4,800 (42,480)	5,945 (52,615)	37,120 (8,345)	160,003 (35,970)	± 0.01	N/A	N/A	22 - 28
E160 (STL)*	600 (1,320)	4,300 (38,060)	9,095 (80,490)	4,800 (42,480)	5,945 (52,615)	37,120 (8,345)	160,003 (35,970)	± 0.01	N/A	N/A	22 - 28
ES160	800 (1,760)	5,649 (50,000)	11,322 (100,215)	5,280 (46,730)	6,690 (59,210)	49,486 (11,125)	160,003 (35,970)	± 0.01	N/A	N/A	22 - 28
ES200	1,500 (3,300)	15,097 (133,620)	17,998 (159,300)	11,660 (103,200)	14,590 (129,130)	96,393 (21,670)	246,031 (55,310)	± 0.01	N/A	N/A	22 - 28
ES315	2,331 (5,140)	43,135 (381,773)	75,533 (668,525)	31,144 (275,645)	48,882 (432,640)	144,585 (32,503)	494,056 (111,064)	± .01	N/A	N/A	22 - 28

*E160 (STL) utilizes a steel tool adaptor and an aluminum robot adaptor.

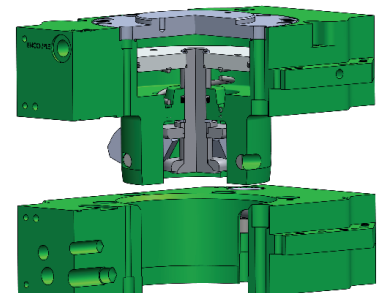
Operating Temperature: **5 - 60 °C (40 - 140 °F)**
 Noise Emissions: **≤ 70 dB(A) in any direction**
 Supply Pressure: **5 - 7 bar (72 - 101 psi)**



SECTIONAL DIAGRAM



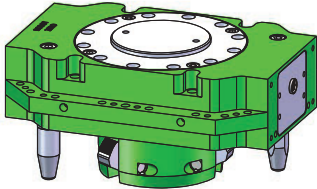
Applied Robotics XCHANGE™ automatic tool changing technology allows for exchanging robotic end-of-arm tooling (EOAT) on the fly without shutting down production lines. Not only does this add efficiency to processes requiring frequent connection/disconnection of tooling and support utilities, but also reduces the probability of human errors introduced by manual connections.



PRODUCT INFORMATION

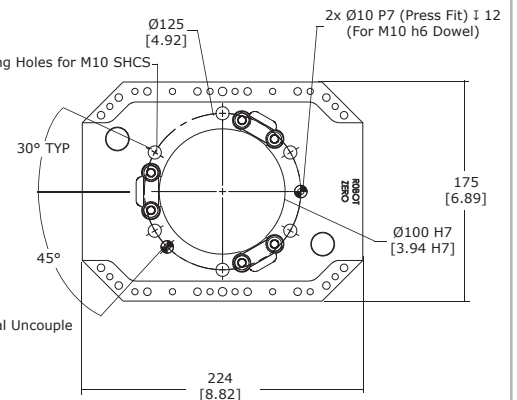
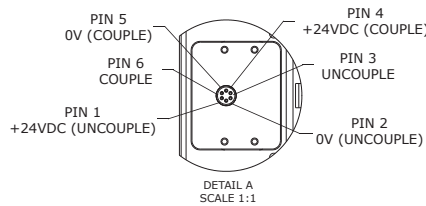
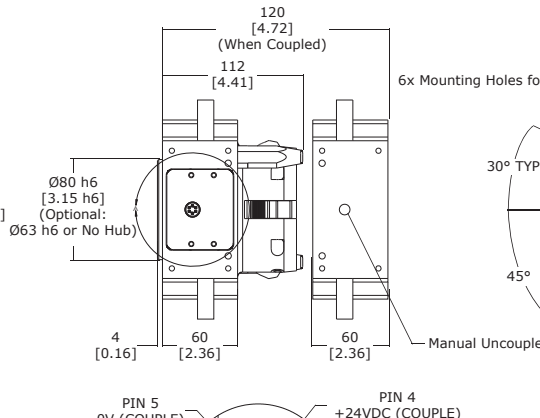
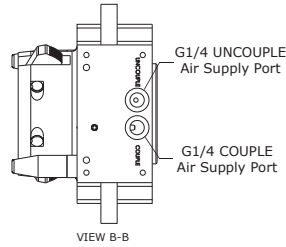
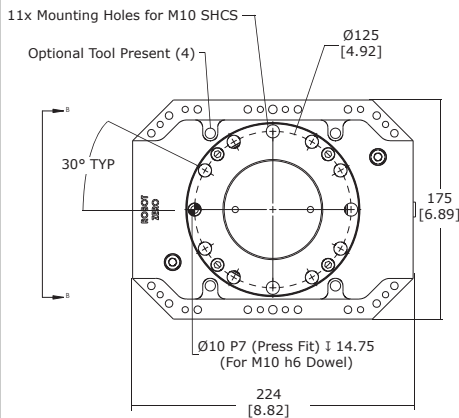
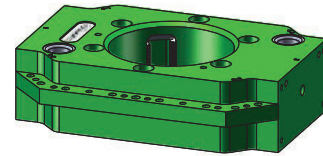
ROBOT ADAPTOR

ROBOT ADAPTOR WEIGHT: 5.55 kg [12.17 lb]



TOOL ADAPTOR

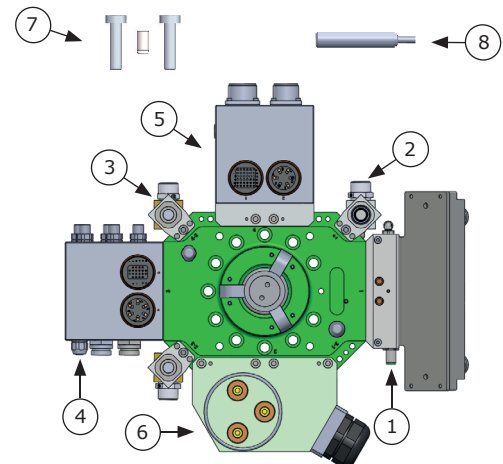
TOOL ADAPTOR WEIGHT: 3.59 kg [8.12 lb]



NOTE: Dimensions are mm [in]

OPTIONAL UTILITIES

1. Safety Control Module (SCM) or Couple/Uncouple Valve Module (with Tool Stand Monitoring)
2. Pneumatic Passthru
3. Coolant Passthru
4. I/O Communication (Discrete, DeviceNet, Ethernet/IP, Profinet, etc.)
5. Servo (Power & Encoder/Resolver)
6. High Power (Weld Power)
7. Hardware Kit
8. Tool Present Kit



Applied Robotics
648 Saratoga Road
Glenville, NY 12302 USA
Tel. +1 518 384 1000 Fax +1.5183841200
info@appliedrobotics.com
www.appliedrobotics.com



EFFECTO GROUP S.p.A.
Via Roma, 141/143
28017 San Maurizio d'Opaglio (NO) - Italy
Tel. +39 0322 96142 Fax +39 0322 967453
info@effectogroup.com
www.effectogroup.com

