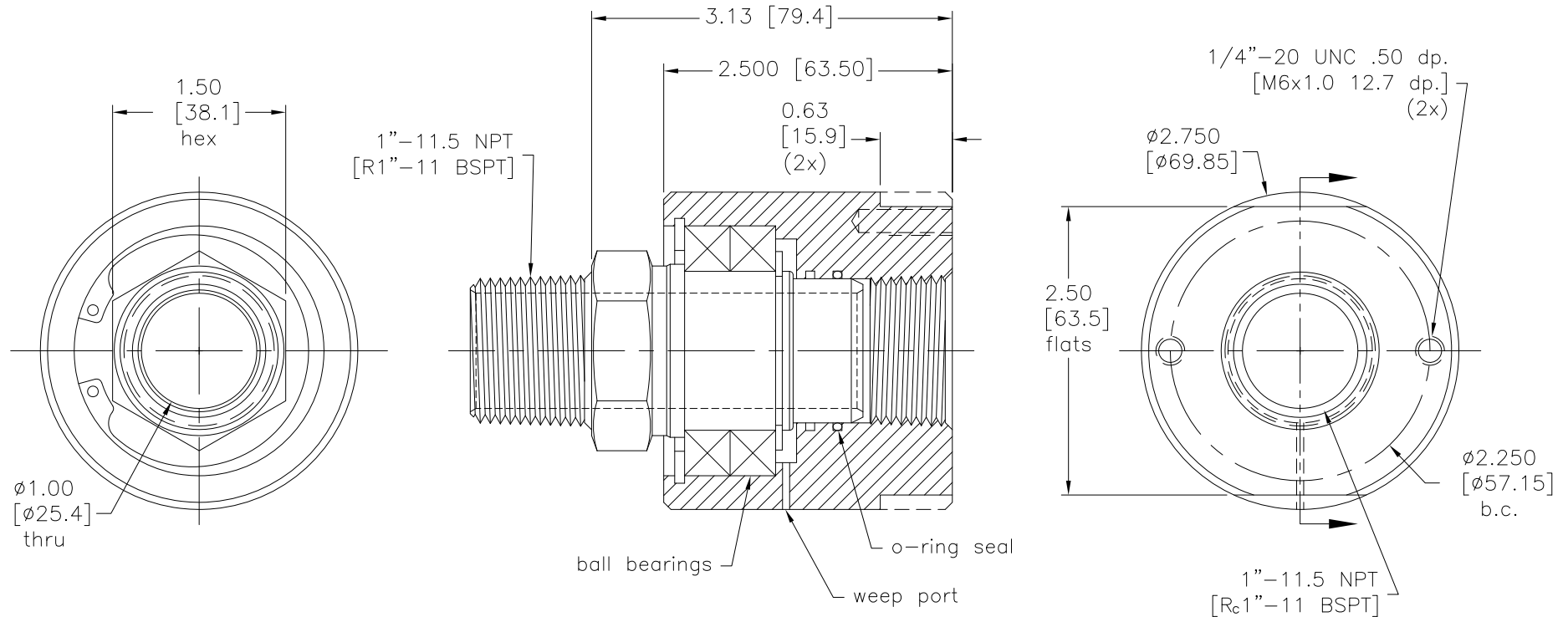


Rev:	Date	By	Chk	Description
A.1	5/4/12	PJE	TCB	Added Sheet 2 of 2 to provide options details.



Notes:

1. Union will be static air tested.
2. Media must be filtered, clean and free of abrasive content or reduced union life will result.
3. Alternate metric units, connections, and threads are available by using SPSM in place of SPS in the series designation prefix.

Drawn	KCP	3/29/11
Checked	RAW	3/31/11
Checked	PJE	4/6/11

TOLERANCE EXCEPT AS NOTED	
X.X	$\pm .125$
X.XX	$\pm .015$
X.XXX	$\pm .005$
ANGLES	$\pm 0.5^\circ$



CUSTOMER APPROVAL/DATE:

SHAFT MTL/PLTING:

304 SSSL

HOUSING MTL/PLTING:

6061 ALUM
 BLUE ANODIZE

CUSTOMER:

STOCK

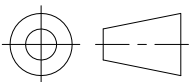
P/N:

SPS(M)-5610

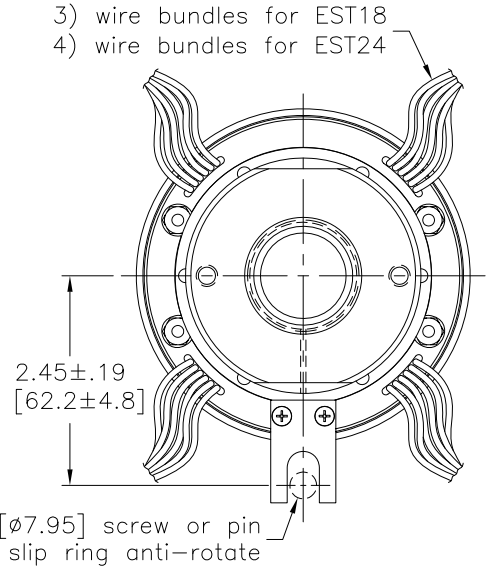
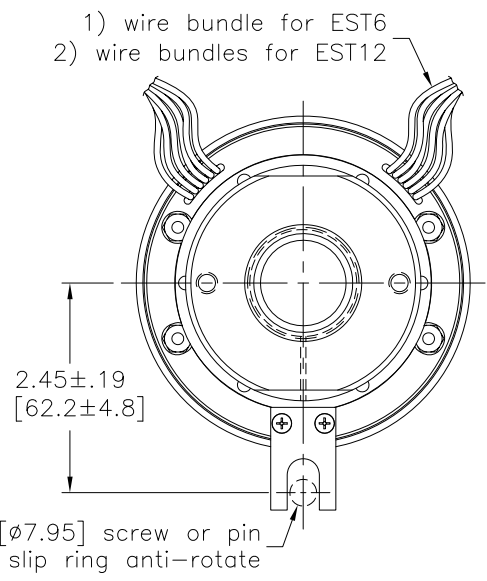
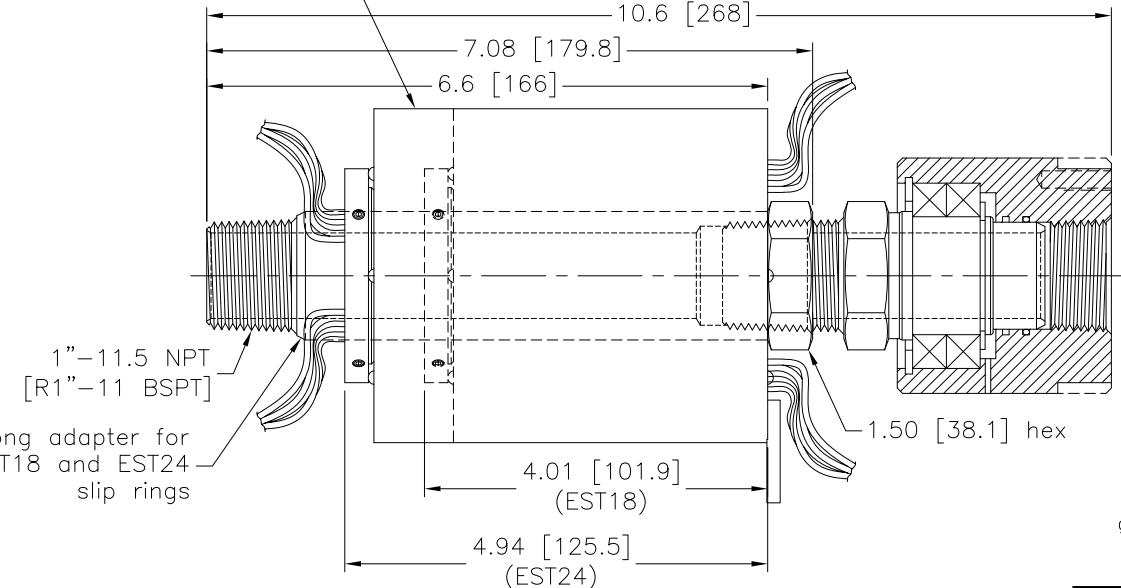
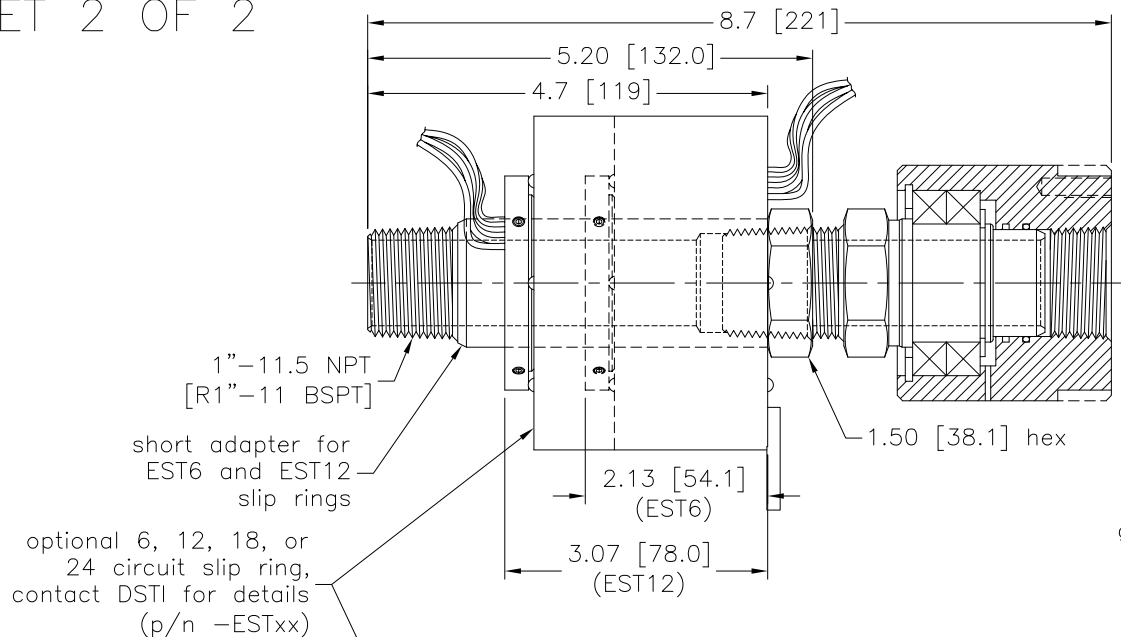
REV:

A.1

THIRD ANGLE PROJECTION:



THIS DOCUMENT CONTAINS INFORMATION WHICH IS PROPRIETARY TO DYNAMIC SEALING TECHNOLOGIES, INC. (DSTI) NO REPRODUCTION OR PUBLICATION OF THIS DOCUMENT OR IT'S CONTENTS, IN WHOLE OR PART, SHALL BE MADE WITHOUT THE WRITTEN CONSENT FROM DSTI.



Drawn	PJE	5/4/12
Checked	TCB	5/4/12
Checked	RAW	5/7/12

TOLERANCE EXCEPT AS NOTED	
X.X	±.125
X.XX	±.015
X.XXX	±.005
ANGLES	± 0.5°

DSTI
 DYNAMIC SEALING TECHNOLOGIES, INC
 13829 JAY ST NW ~ ANDOVER, MN 55304
 866-700-DSTI (3784)

CUSTOMER APPROVAL/DATE:

ADAPTER MTL/PLTNG:
 6061 ALUM
 BLUE ANODIZE

CUSTOMER:
 STOCK

THIS DOCUMENT CONTAINS INFORMATION WHICH IS PROPRIETARY TO DYNAMIC SEALING TECHNOLOGIES, INC. (DSTI) NO REPRODUCTION OR PUBLICATION OF THIS DOCUMENT OR IT'S CONTENTS, IN WHOLE OR PART, SHALL BE MADE WITHOUT THE WRITTEN CONSENT FROM DSTI.

P/N:
 SPS(M)-5610-SEE NOTES
 REV:
 A.1