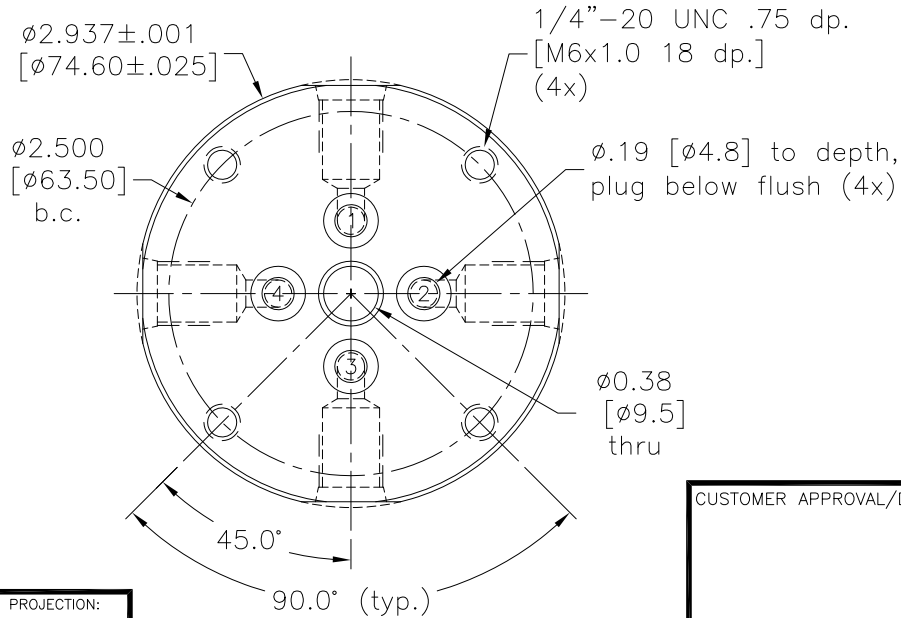
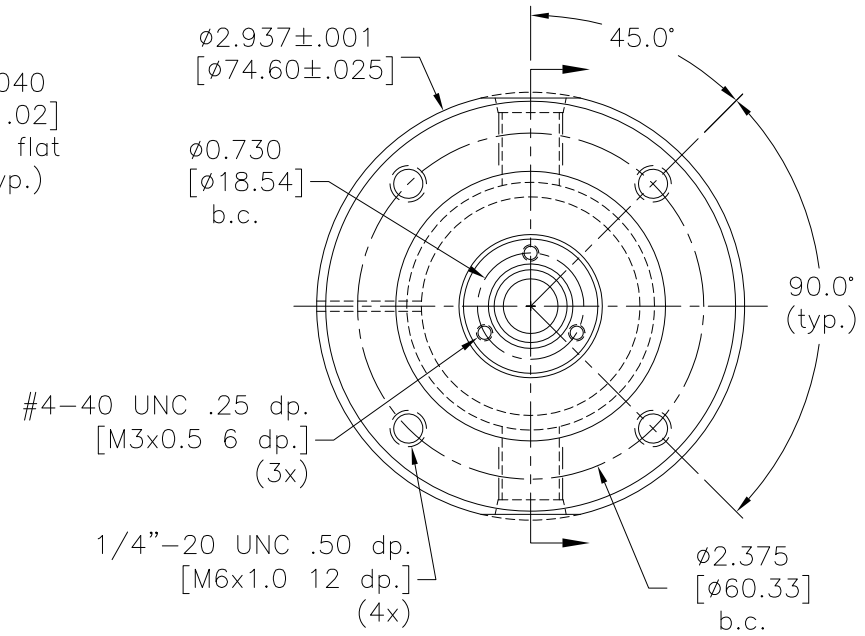
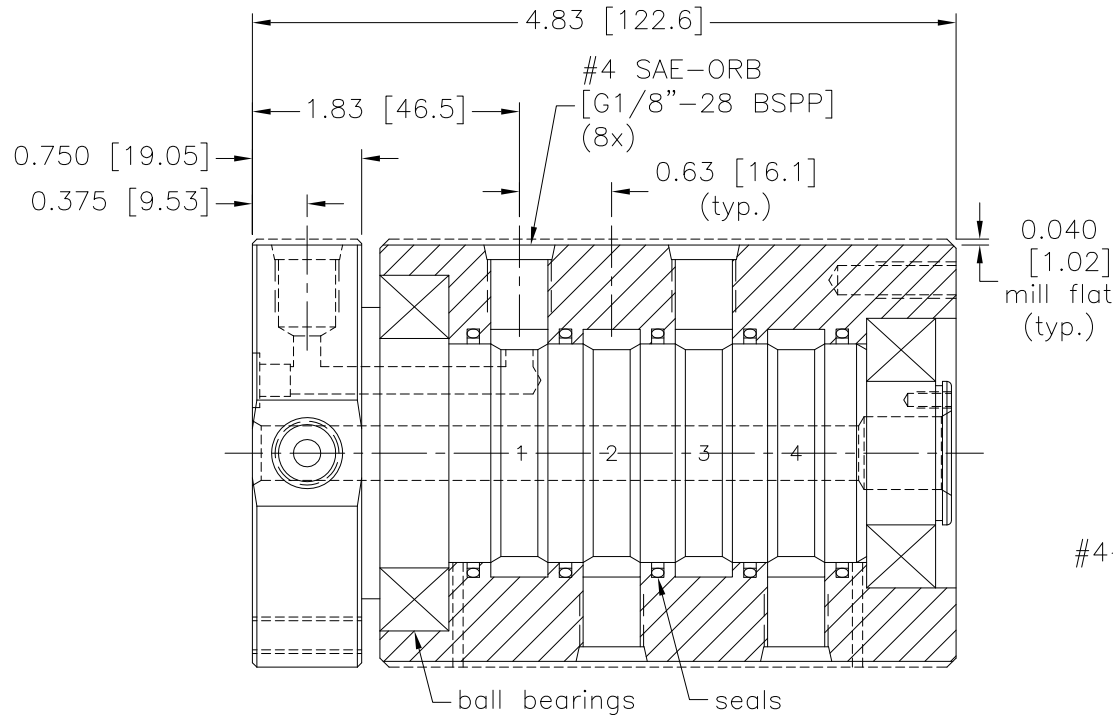


Rev:	Date	By	Chk	Description
A.1	8/29/12	PJE	RAW	ECO 0045



Notes:

1. Union will be rotated for seal break-in and static air tested.
2. Media must be filtered, clean and free of abrasive content or reduced union life will result.
3. Metric connections and threads available by using SEM in place of SE in the series designation prefix.
4. See SHEET 2 for product options.

Drawn	JSM	6/1/03
Checked	PJE	11/17/05
Checked	PJE	11/24/08

TOLERANCE EXCEPT AS NOTED	
X.X	±.125
X.XX	±.015
X.XXX	±.005
ANGLES	± 0.5°

SHAFT MTL/PLTING:
CARBON STL
58-62 Rc
BLK OXIDE

HOUSING MTL/PLTING:
CARBON STL
BLK OXIDE



CUSTOMER: STOCK

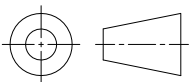
P/N: SE(M)-1141

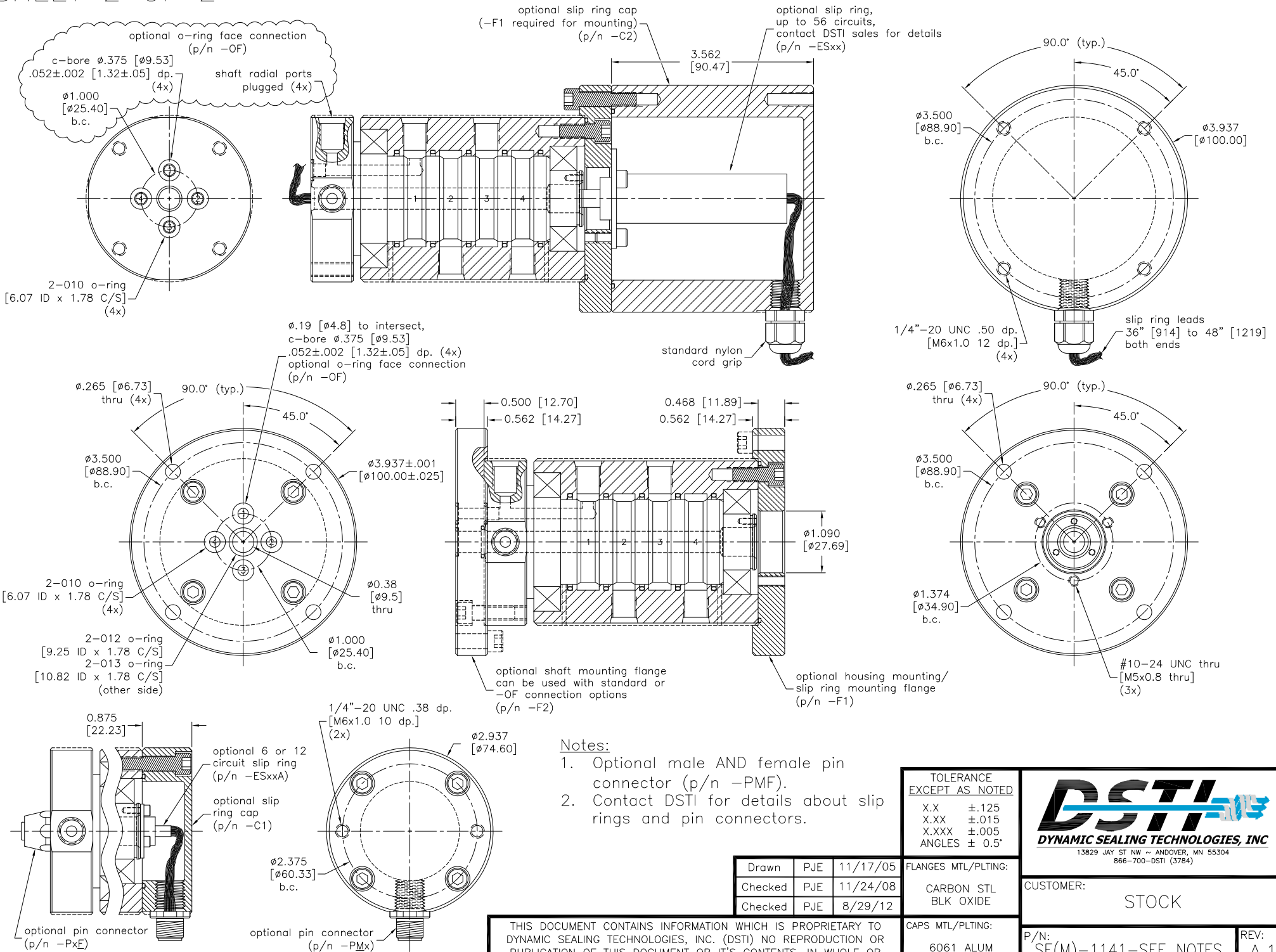
REV: A.1

CUSTOMER APPROVAL/DATE:

THIS DOCUMENT CONTAINS INFORMATION WHICH IS PROPRIETARY TO DYNAMIC SEALING TECHNOLOGIES, INC. (DSTI) NO REPRODUCTION OR PUBLICATION OF THIS DOCUMENT OR IT'S CONTENTS, IN WHOLE OR PART, SHALL BE MADE WITHOUT THE WRITTEN CONSENT FROM DSTI.

THIRD ANGLE PROJECTION:





Notes:

- Optional male AND female pin connector (p/n -PMF).
- Contact DSTI for details about slip rings and pin connectors.

TOLERANCE EXCEPT AS NOTED	
X.X	$\pm .125$
X.XX	$\pm .015$
X.XXX	$\pm .005$
ANGLES	$\pm 0.5^\circ$

DSTI
DYNAMIC SEALING TECHNOLOGIES, INC
13829 JAY ST NW ~ ANDOVER, MN 55304
866-700-DSTI (3784)

Drawn	PJE	11/17/05
Checked	PJE	11/24/08
Checked	PJE	8/29/12

FLANGES MTL/PLTING:	CARBON STL BLK OXIDE
CAPS MTL/PLTING:	6061 ALUM BLUE ANODIZE

CUSTOMER:	STOCK
P/N:	SE(M)-1141-SEE NOTES
REV:	A.1

THIS DOCUMENT CONTAINS INFORMATION WHICH IS PROPRIETARY TO DYNAMIC SEALING TECHNOLOGIES, INC. (DSTI) NO REPRODUCTION OR PUBLICATION OF THIS DOCUMENT OR IT'S CONTENTS, IN WHOLE OR PART, SHALL BE MADE WITHOUT THE WRITTEN CONSENT FROM DSTI.