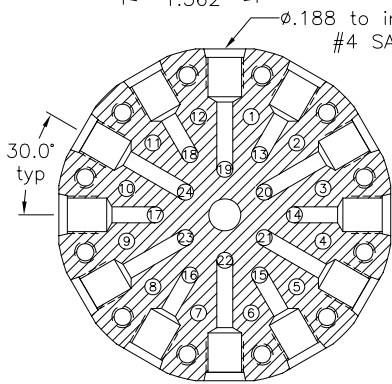
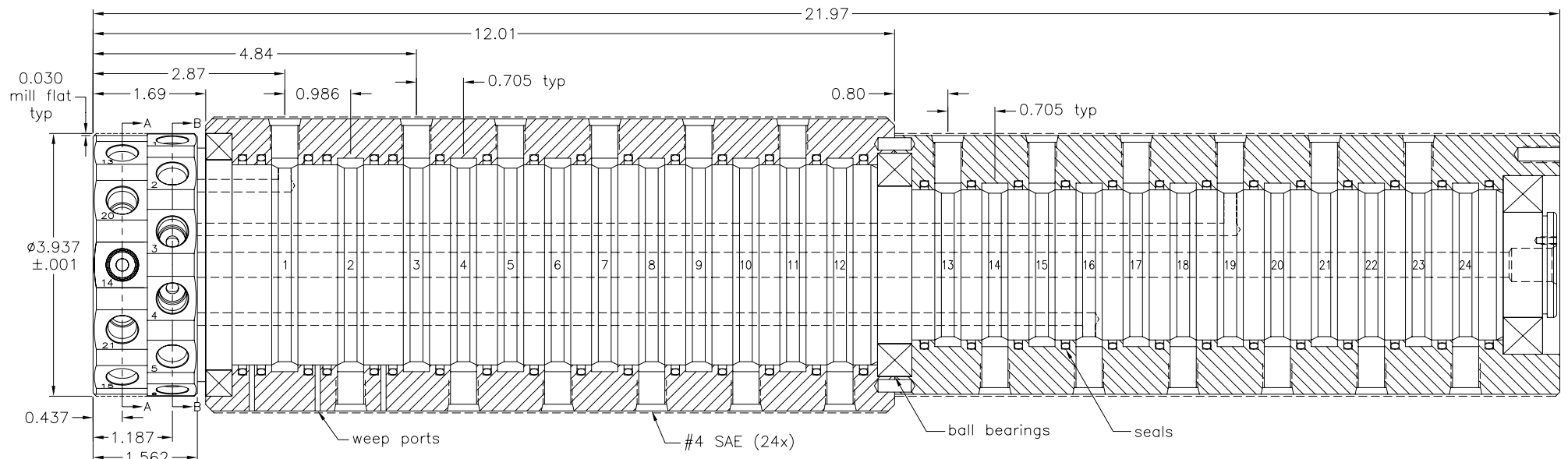
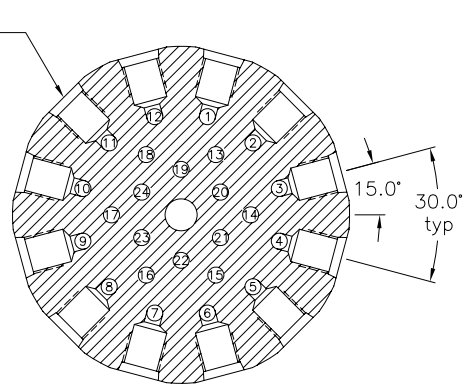


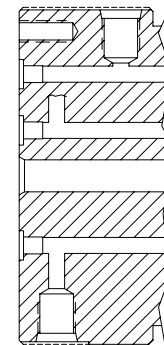
Rev	Date	By	Description
-	-	-	-



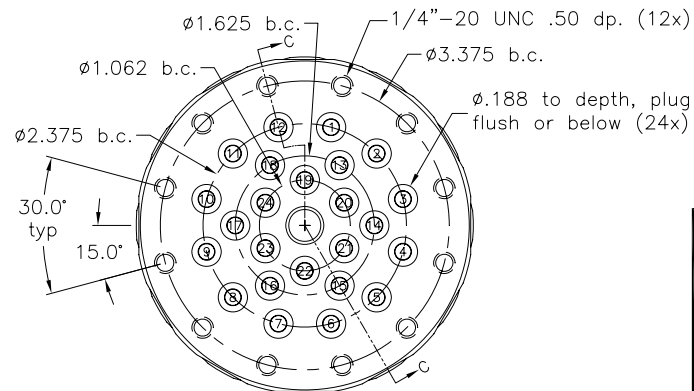
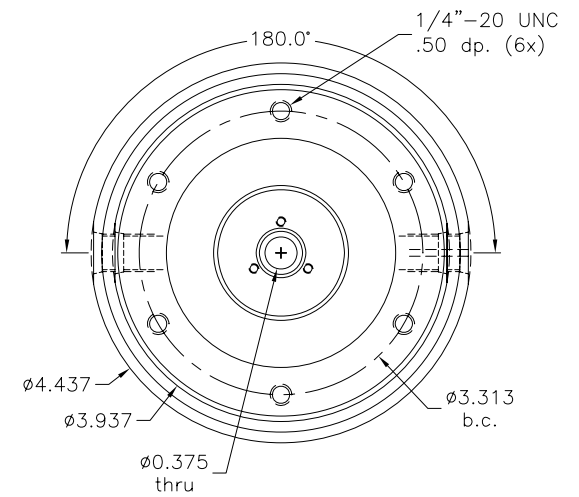
Section A-A



Section B-B



Section C-C



Drawn by	PJE	2/24/07
Check by	RAW	3/12/07
Check by	JSM	4/4/07

TOLERANCE EXCEPT AS NOTED	
X.X	±.031
X.XX	±.010
X.XXX	±.003
ANGLES	± 0.5°

SH MTL/PLTING	CARBON STL
	60-62 Rc
	BLK OXIDE

HSG MTL/PLTING	CARBON STL
	BLK OXIDE


DYNAMIC SEALING TECHNOLOGIES
 INCORPORATED
 13829 JAY ST NW ~ ANDOVER, MN 55304
 866-700-DSTI (3784)

CUSTOMER:
STOCK

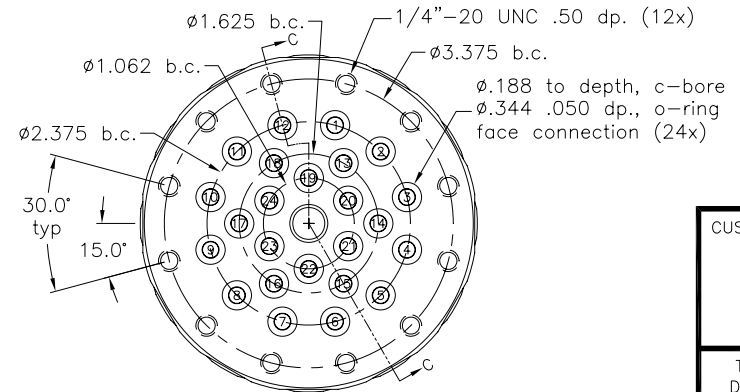
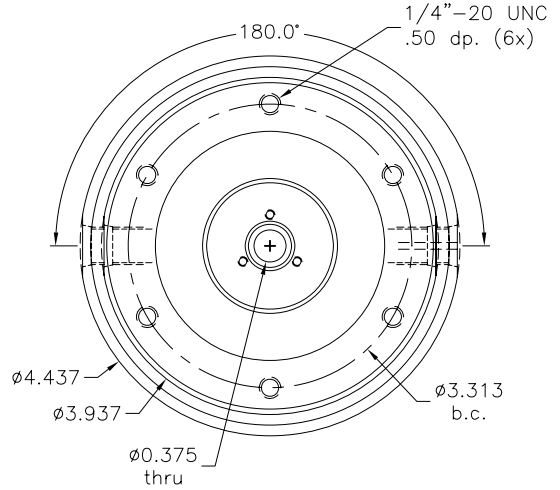
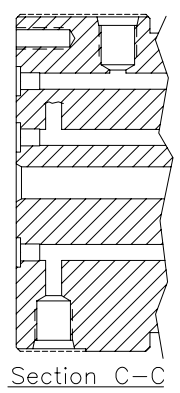
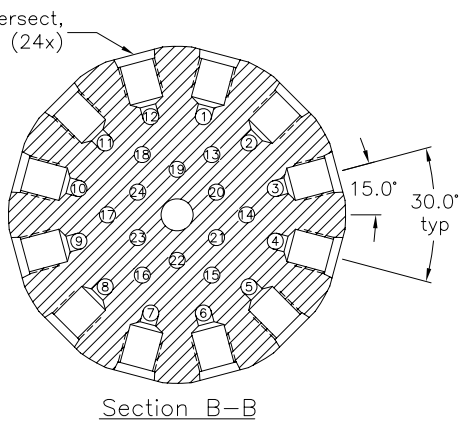
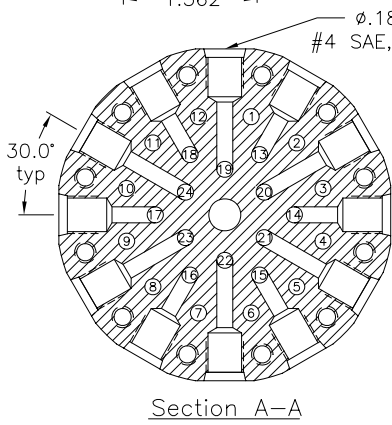
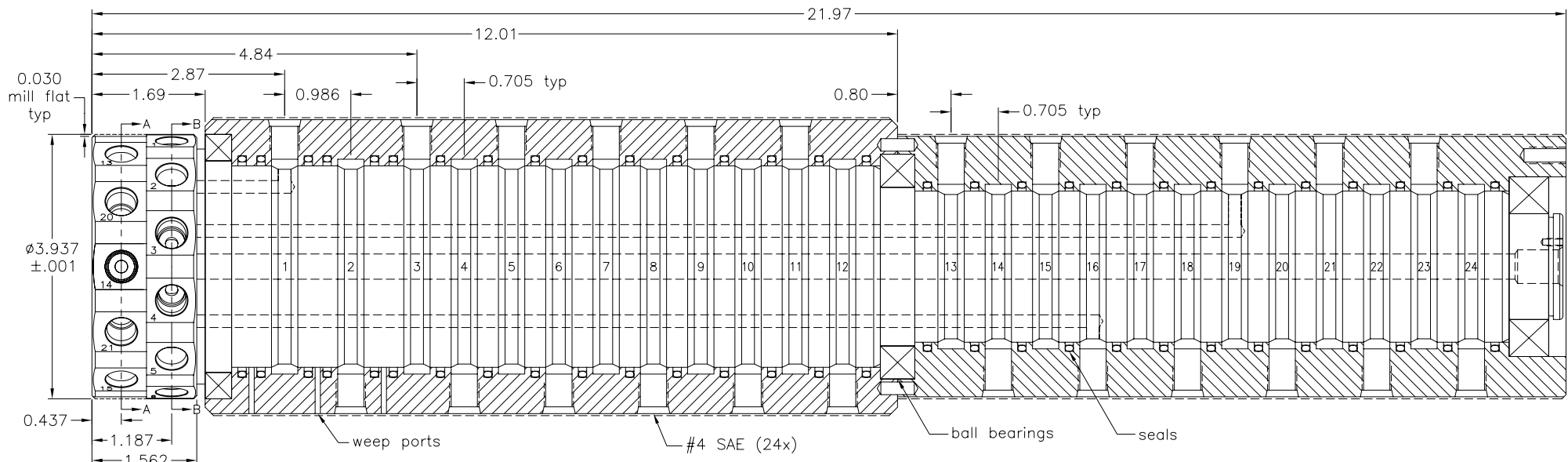
P/N:
11241

REV:
A

CUSTOMER APPROVAL/DATE:

THIS DOCUMENT CONTAINS INFORMATION WHICH IS PROPRIETARY TO DYNAMIC SEALING TECHNOLOGIES, INC. (DSTI) NO REPRODUCTION OR PUBLICATION OF THIS DOCUMENT OR IT'S CONTENTS, IN WHOLE OR PART, SHALL BE MADE WITHOUT THE WRITTEN CONSENT FROM DSTI.

Rev	Date	By	Description
-	-	-	-




Drawn by	PJE	2/24/07
Check by	RAW	3/12/07
Check by	JSM	4/4/07

TOLERANCE EXCEPT AS NOTED	
X.X	±.031
X.XX	±.010
X.XXX	±.003
ANGLES	± 0.5°

SH MTL/PLTING	CARBON STL
	60-62 Rc
	BLK OXIDE

HSG MTL/PLTING	CARBON STL
	BLK OXIDE


DYNAMIC SEALING TECHNOLOGIES
 INCORPORATED
 13829 JAY ST NW ~ ANDOVER, MN 55304
 866-700-DSTI (3784)

CUSTOMER:
STOCK

P/N:
11241-NP

REV:
A

CUSTOMER APPROVAL/DATE:

THIS DOCUMENT CONTAINS INFORMATION WHICH IS PROPRIETARY TO DYNAMIC SEALING TECHNOLOGIES, INC. (DSTI) NO REPRODUCTION OR PUBLICATION OF THIS DOCUMENT OR IT'S CONTENTS, IN WHOLE OR PART, SHALL BE MADE WITHOUT THE WRITTEN CONSENT FROM DSTI.