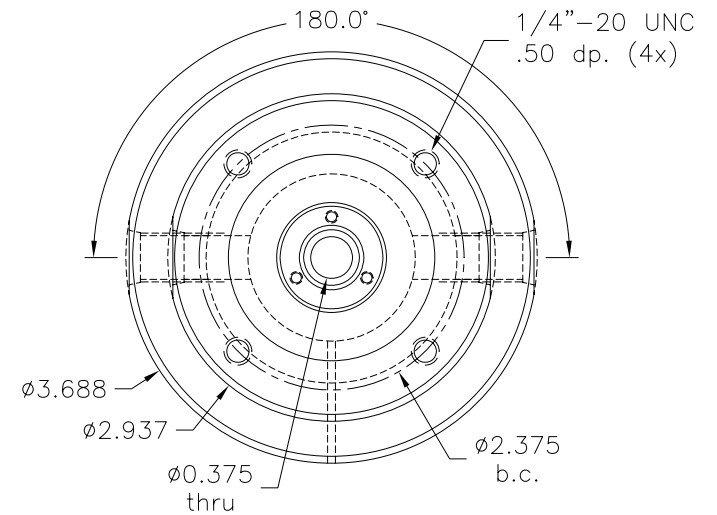
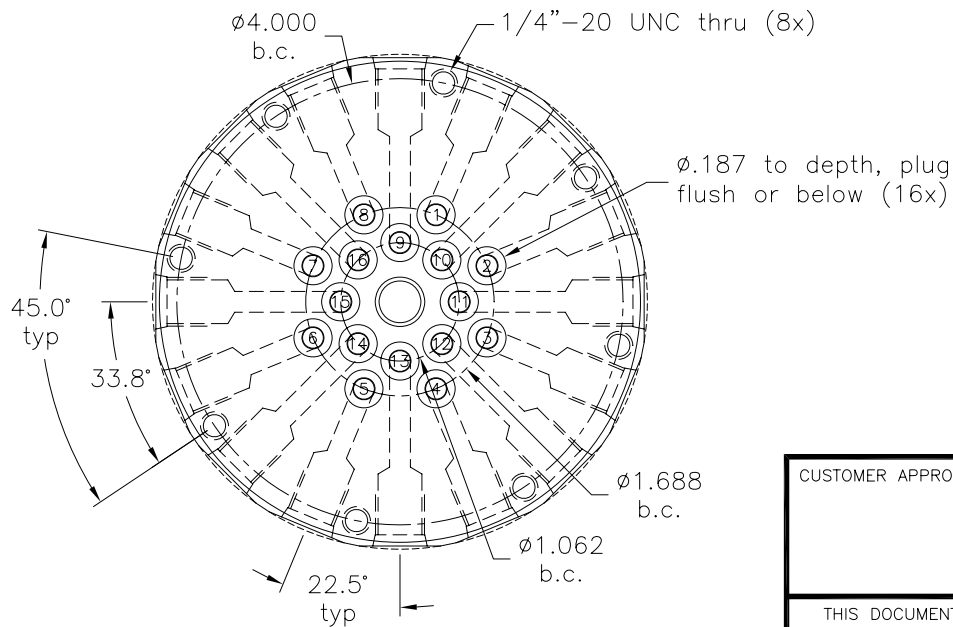
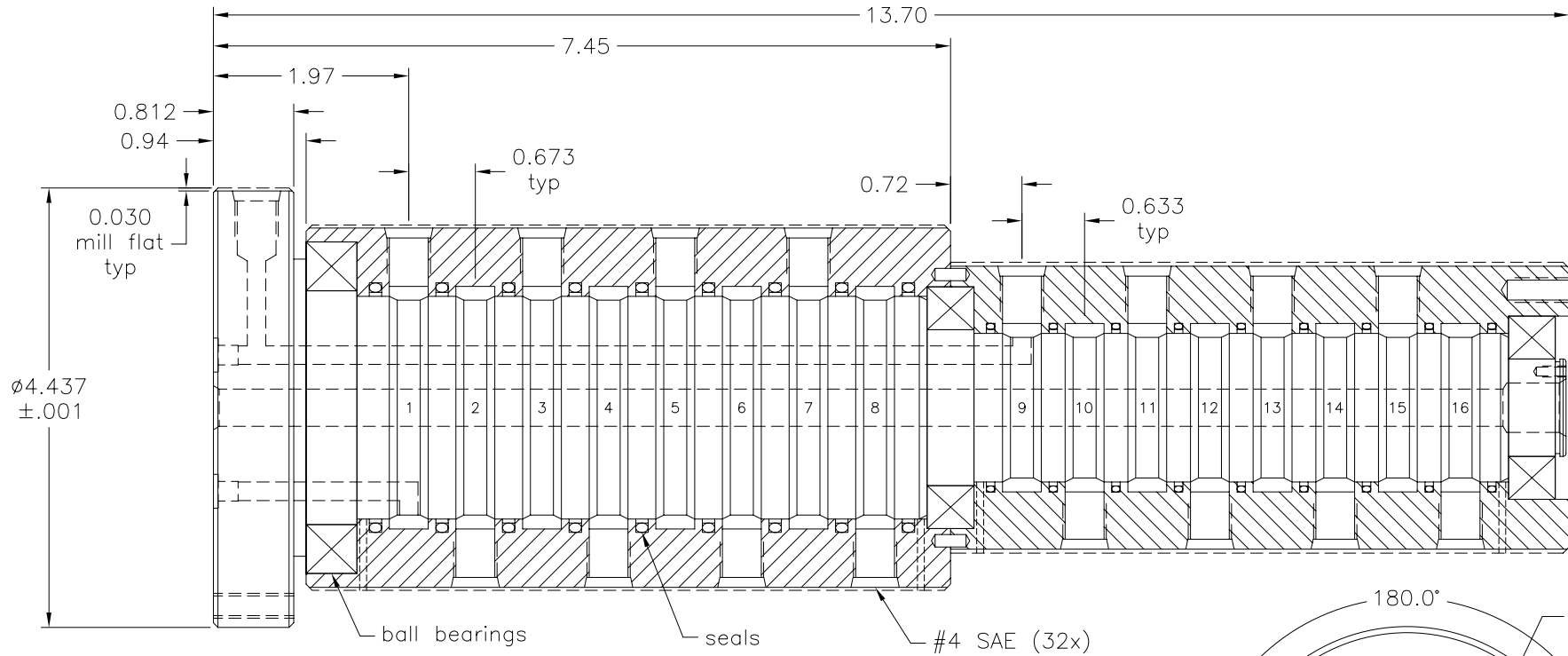


Rev	Date	By	Description
-	-	-	-



Drawn by	PJE	7/06/06
Check by	JSM	7/13/06
Check by	RAW	7/13/06

TOLLERANCES EXCEPT AS NOTED

X.X	±.031
X.XX	±.010
X.XXX	±.003
ANGLES	± 0.5°

SH MTL/PLTING

CARBON STL
BLK OXIDE

HSG MTL/PLTING

CARBON STL
BLK OXIDE


DYNAMIC SEALING TECHNOLOGIES
INCORPORATED
13829 JAY ST NW ~ ANDOVER, MN 55304
866-700-DSTI (3784)

CUSTOMER:
STOCK

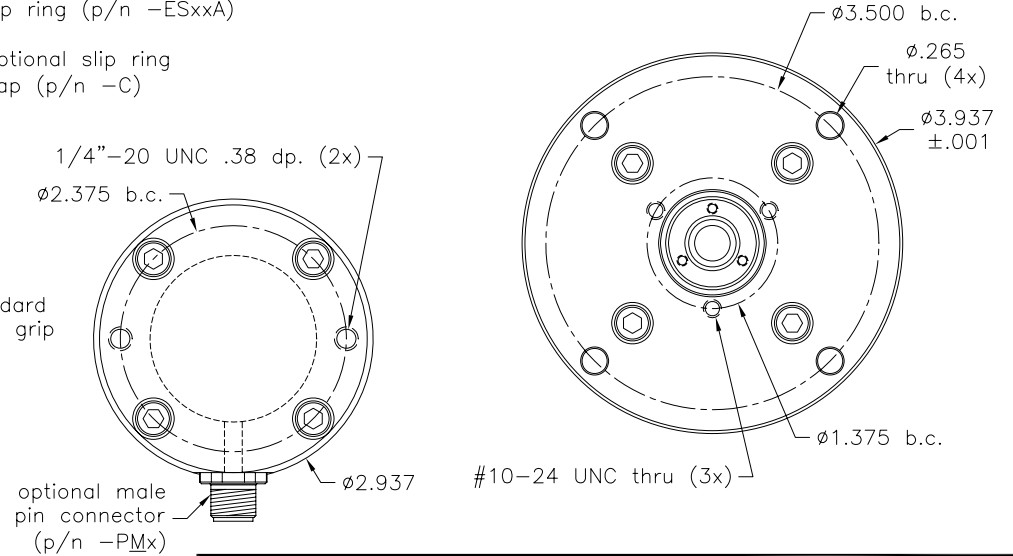
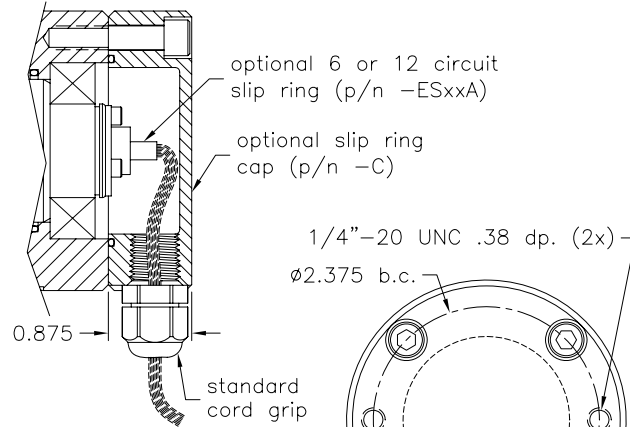
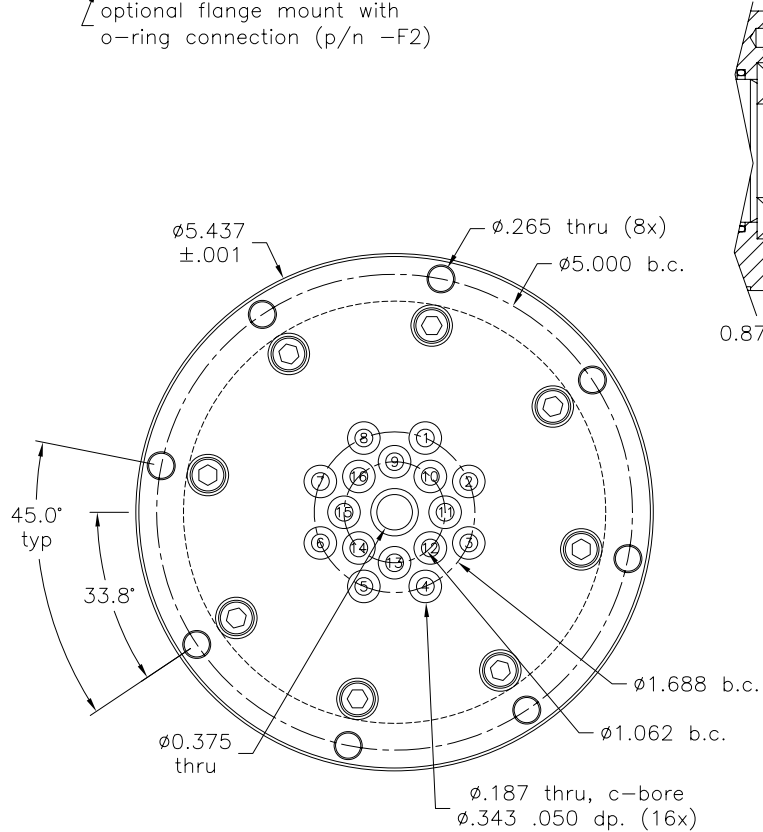
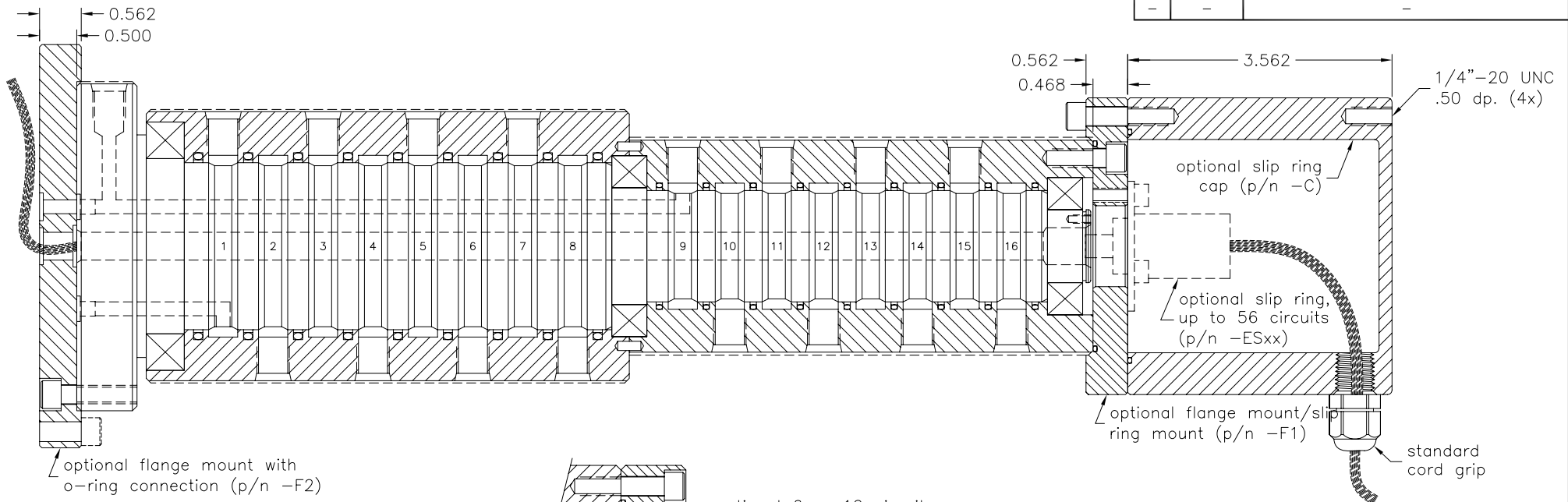
P/N:
11161

REV:
A

CUSTOMER APPROVAL/DATE:

THIS DOCUMENT CONTAINS INFORMATION WHICH IS PROPRIETARY TO DYNAMIC SEALING TECHNOLOGIES, INC. (DSTI) NO REPRODUCTION OR PUBLICATION OF THIS DOCUMENT OR IT'S CONTENTS, IN WHOLE OR PART, SHALL BE MADE WITHOUT THE WRITTEN CONSENT FROM DSTI.

Rev	Date	Description
-	-	-



Drawn by	PJE	7/06/06
Check by	JSM	7/13/06
Check by	RAW	7/13/06

TOLLERANCES
EXCEPT AS NOTED

X.X ±.031
X.XX ±.010
X.XXX ±.003
ANGLES ± 0.5°

DYNAMIC SEALING TECHNOLOGIES
INCORPORATED

13829 JAY ST NW ~ ANDOVER, MN 55304
866-700-DSTI (3784)

CUSTOMER APPROVAL/DATE:

THIS DOCUMENT CONTAINS INFORMATION WHICH IS PROPRIETARY TO DYNAMIC SEALING TECHNOLOGIES, INC. (DSTI) NO REPRODUCTION OR PUBLICATION OF THIS DOCUMENT OR IT'S CONTENTS, IN WHOLE OR PART, SHALL BE MADE WITHOUT THE WRITTEN CONSENT FROM DSTI.

FLG MTL/PLTING
CARBON STL
BLK OXIDE

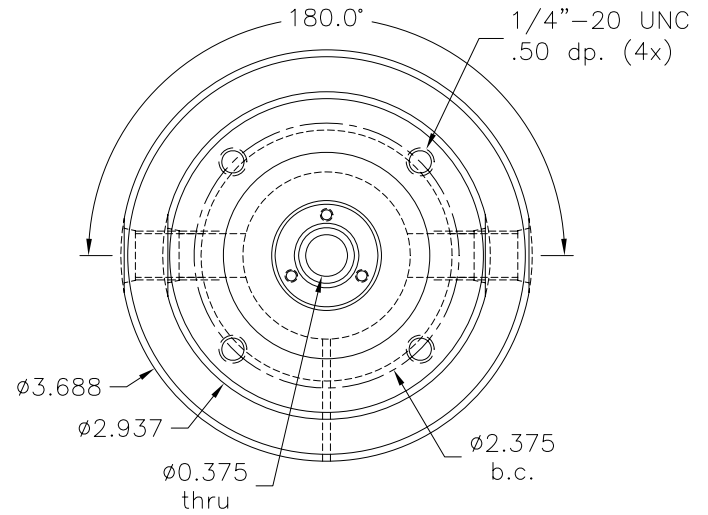
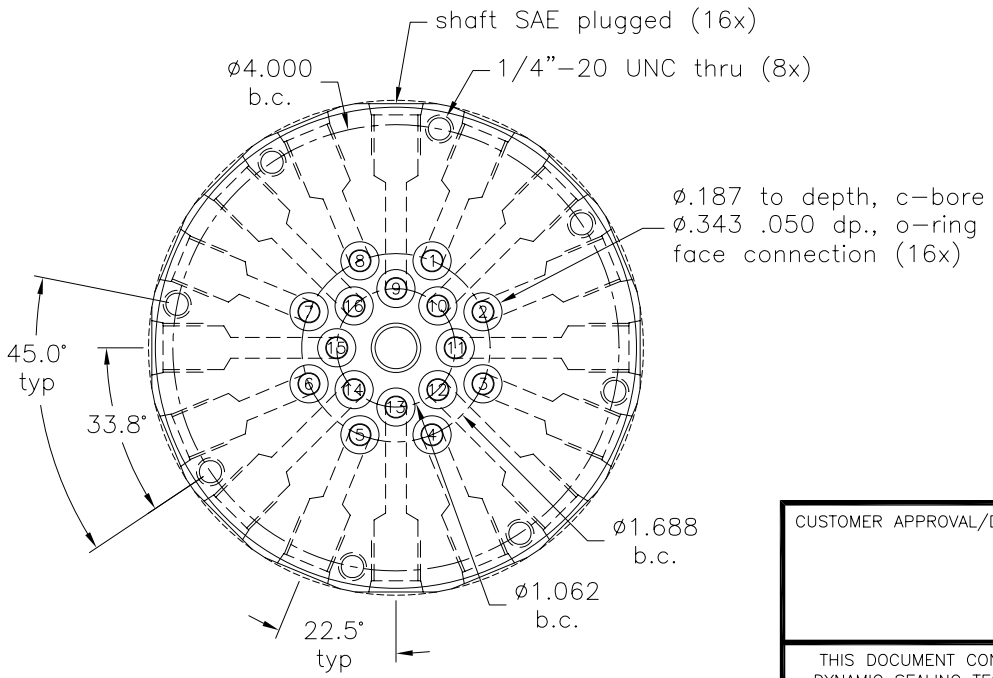
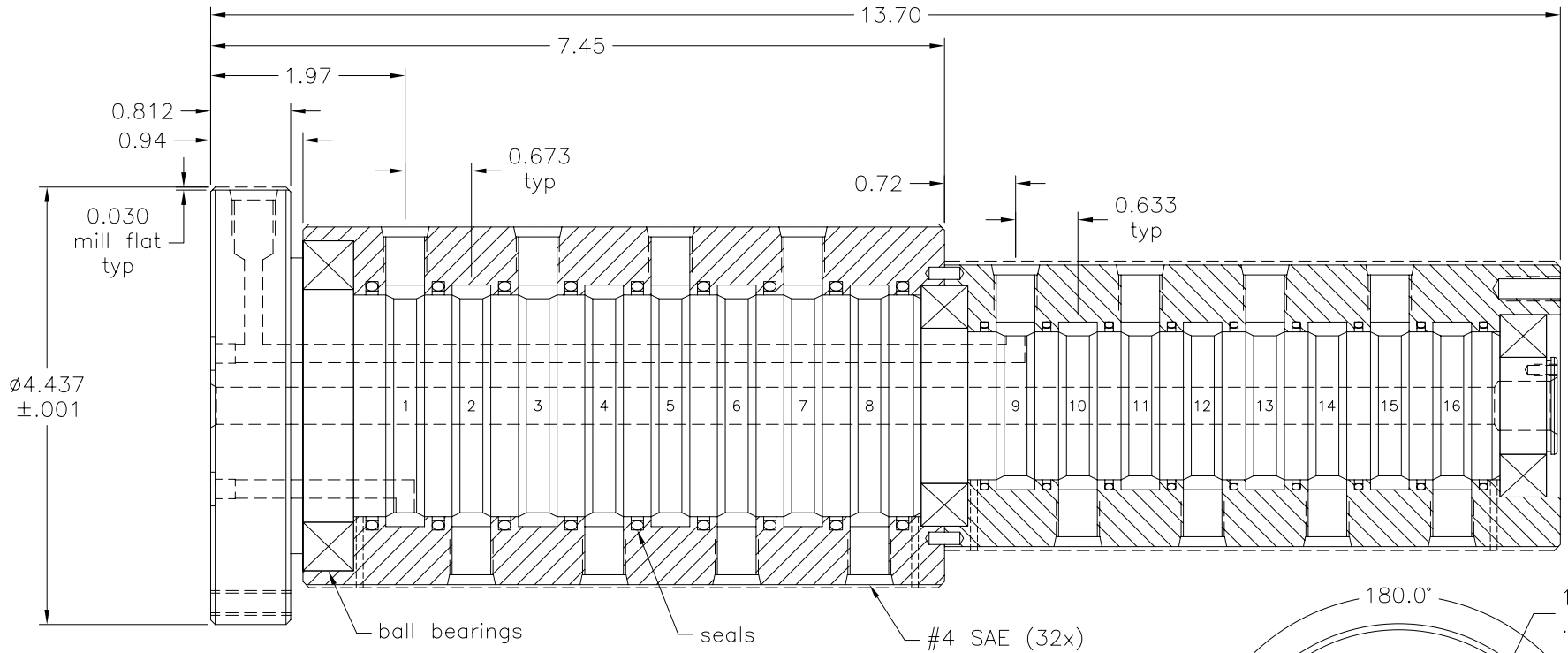
CAP MTL/PLTING
6061 ALUM
BLUE ANODIZE

CUSTOMER:
OPTIONAL EQUIPMENT

P/N:
11161-SEE NOTES

REV:
A

Rev	Date	By	Description
-	-	-	-



Drawn by	PJE	7/06/06
Check by	JSM	7/13/06
Check by	RAW	7/13/06

TOLLERANCES
EXCEPT AS NOTED
X.X ±.031
X.XX ±.010
X.XXX ±.003
ANGLES ± 0.5°

DYNAMIC SEALING TECHNOLOGIES
INCORPORATED
13829 JAY ST NW ~ ANDOVER, MN 55304
866-700-DSTI (3784)

CUSTOMER APPROVAL/DATE:

SH MTL/PLTING
CARBON STL
BLK OXIDE

CUSTOMER:
STOCK

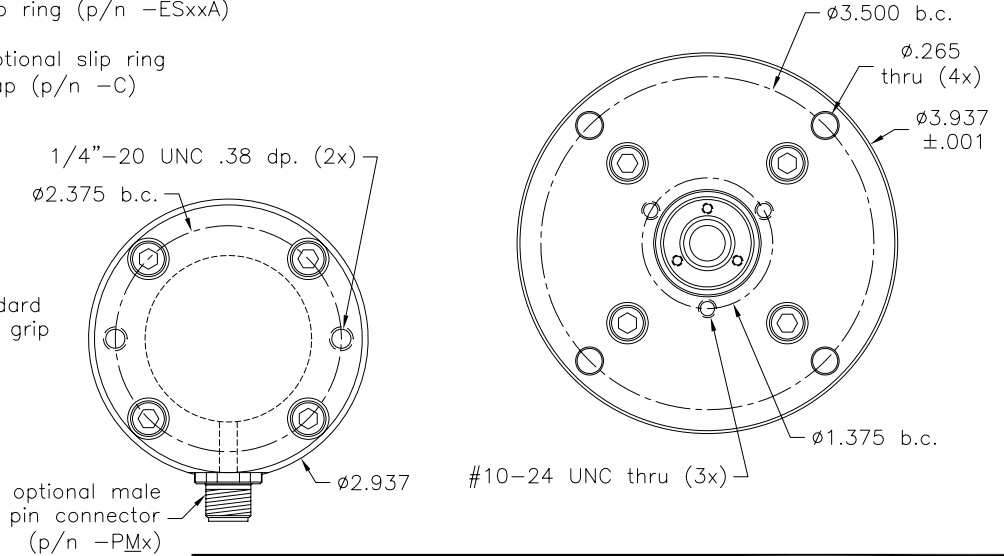
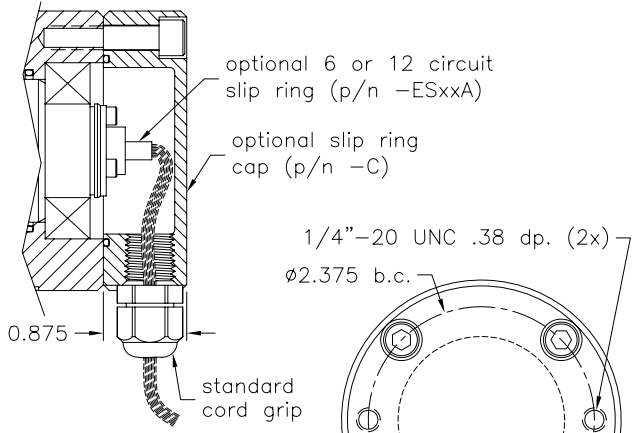
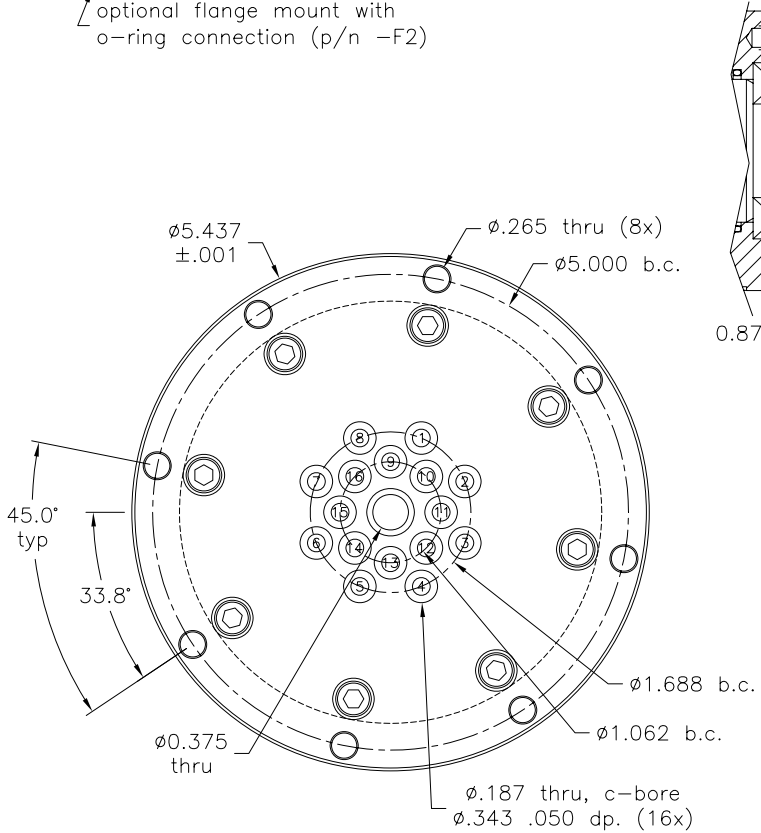
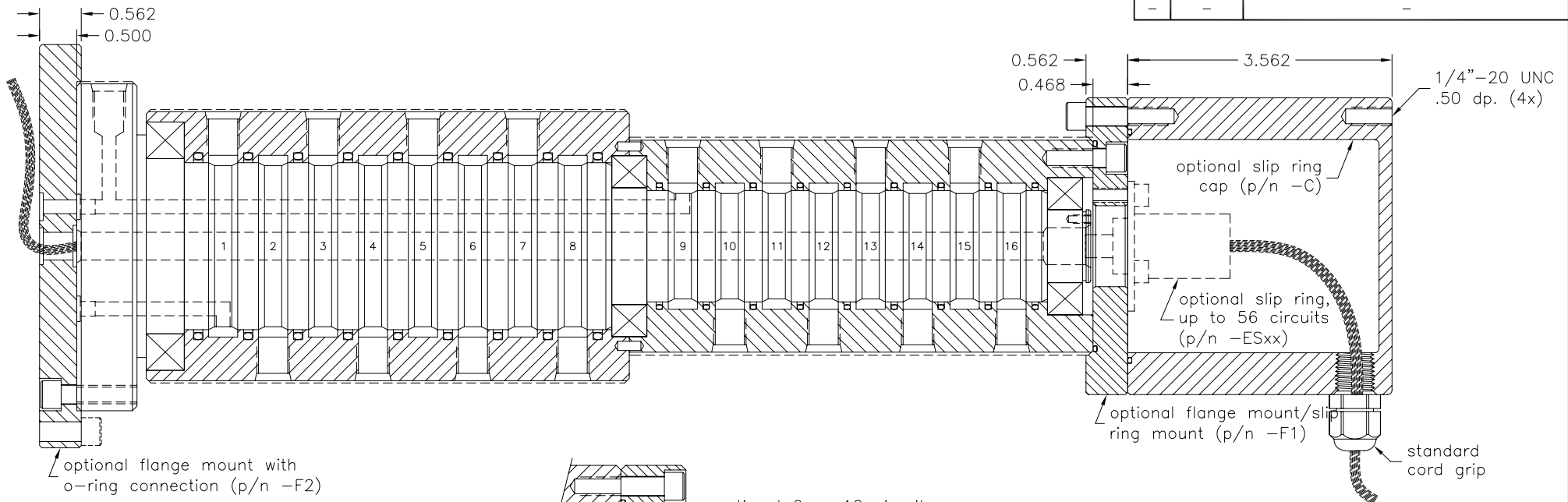
THIS DOCUMENT CONTAINS INFORMATION WHICH IS PROPRIETARY TO DYNAMIC SEALING TECHNOLOGIES, INC. (DSTI) NO REPRODUCTION OR PUBLICATION OF THIS DOCUMENT OR IT'S CONTENTS, IN WHOLE OR PART, SHALL BE MADE WITHOUT THE WRITTEN CONSENT FROM DSTI.

HSG MTL/PLTING
CARBON STL
BLK OXIDE

P/N:
11161-NP

REV:
A

Rev	Date	Description
-	-	-



Drawn by	PJE	7/06/06
Check by	JSM	7/13/06
Check by	RAW	7/13/06

TOLLERANCES EXCEPT AS NOTED

X.X ±.031

X.XX ±.010

X.XXX ±.003

ANGLES ± 0.5°

DYNAMIC SEALING TECHNOLOGIES
INCORPORATED

13829 JAY ST NW ~ ANDOVER, MN 55304
866-700-DSTI (3784)

CUSTOMER APPROVAL/DATE:

THIS DOCUMENT CONTAINS INFORMATION WHICH IS PROPRIETARY TO DYNAMIC SEALING TECHNOLOGIES, INC. (DSTI) NO REPRODUCTION OR PUBLICATION OF THIS DOCUMENT OR IT'S CONTENTS, IN WHOLE OR PART, SHALL BE MADE WITHOUT THE WRITTEN CONSENT FROM DSTI.

FLG MTL/PLTING
CARBON STL
BLK OXIDE

CAP MTL/PLTING
6061 ALUM
BLUE ANODIZE

CUSTOMER:
OPTIONAL EQUIPMENT

P/N:
11161-SEE NOTES

REV:
A