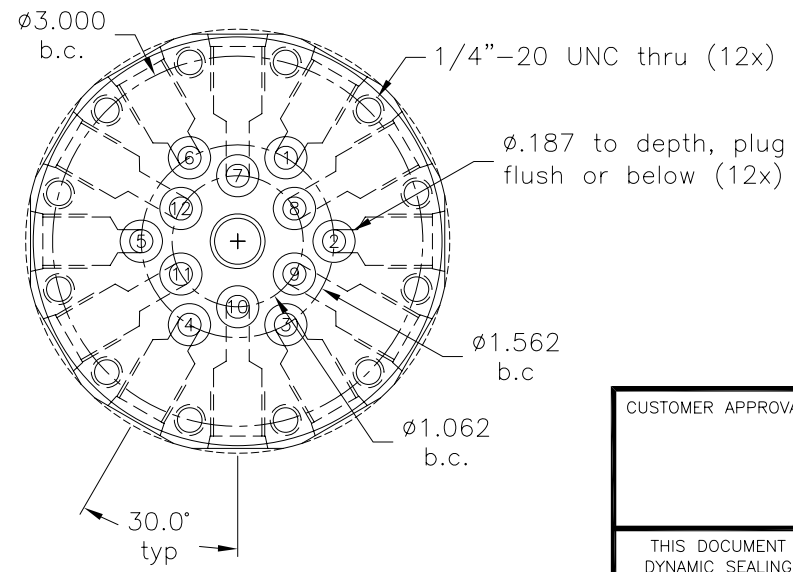
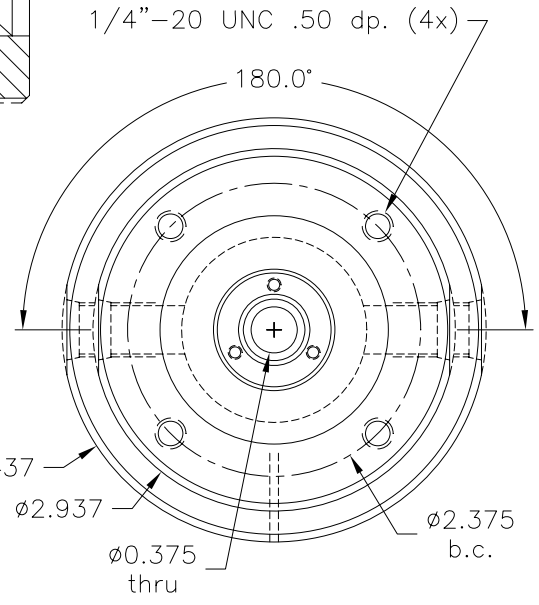
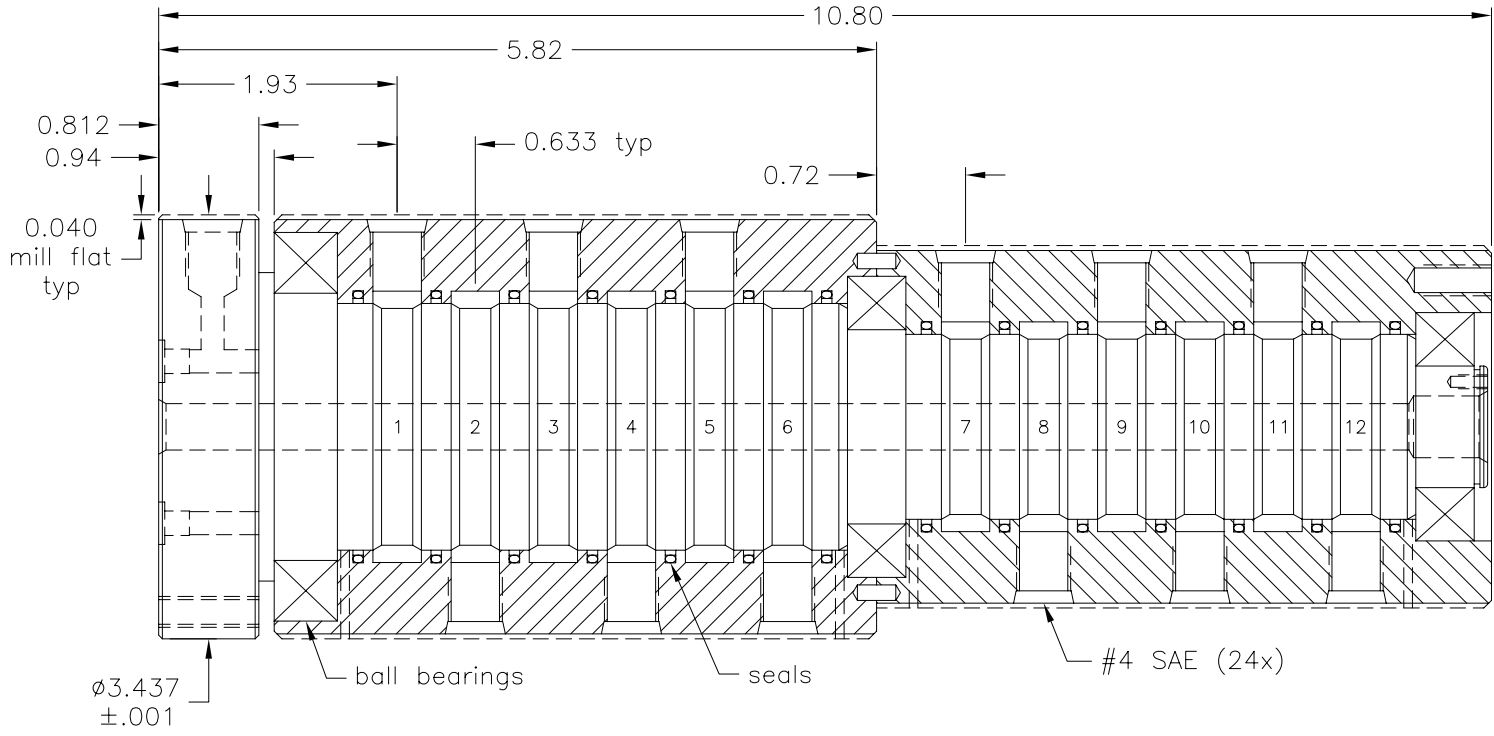


Rev	Date	Description
-	-	-



Drawn by	JSM	6/1/03
Check by	PJE	11/28/05
Check by	PJE	11/24/08

TOLLERANCES EXCEPT AS NOTED	
X.X	$\pm .031$
X.XX	$\pm .010$
X.XXX	$\pm .003$
ANGLES	$\pm 0.5^\circ$

  
**DYNAMIC SEALING TECHNOLOGIES**  
 INCORPORATED  
 13829 JAY ST NW ~ ANDOVER, MN 55304  
 866-700-DSTI (3784)

CUSTOMER APPROVAL/DATE:

SH MTL/PLTING  
CARBON STL  
BLK OXIDE

CUSTOMER:  
**STOCK**

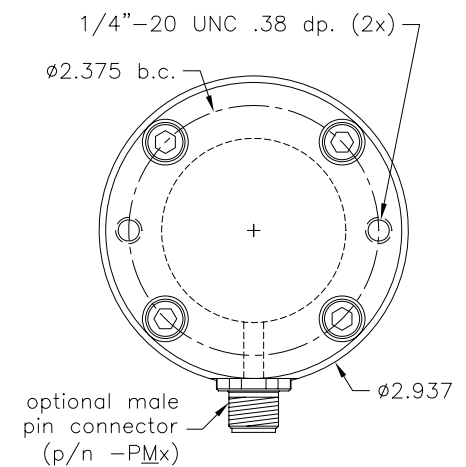
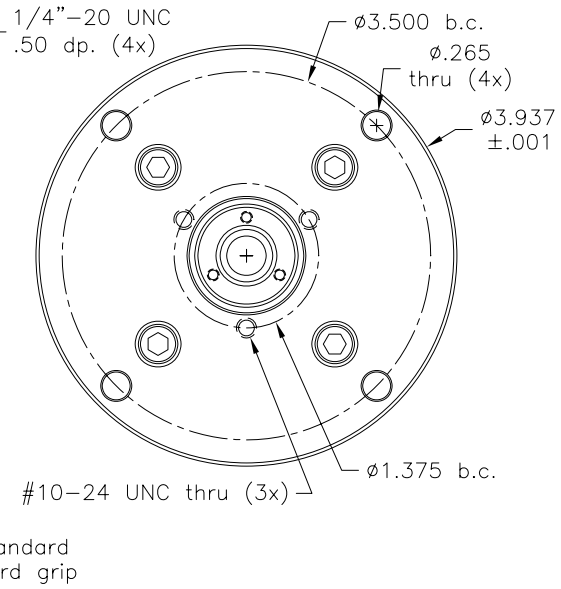
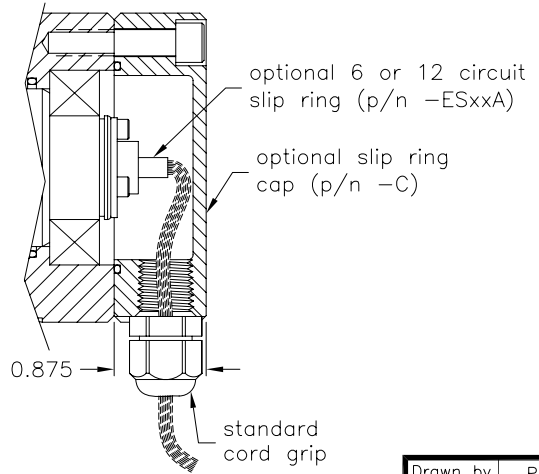
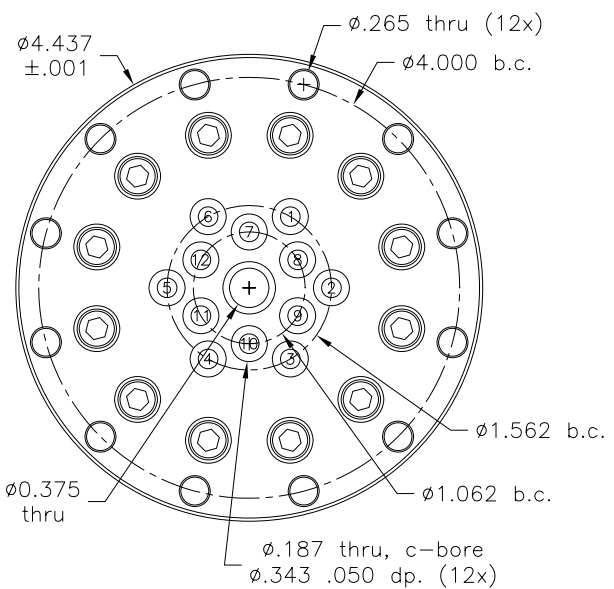
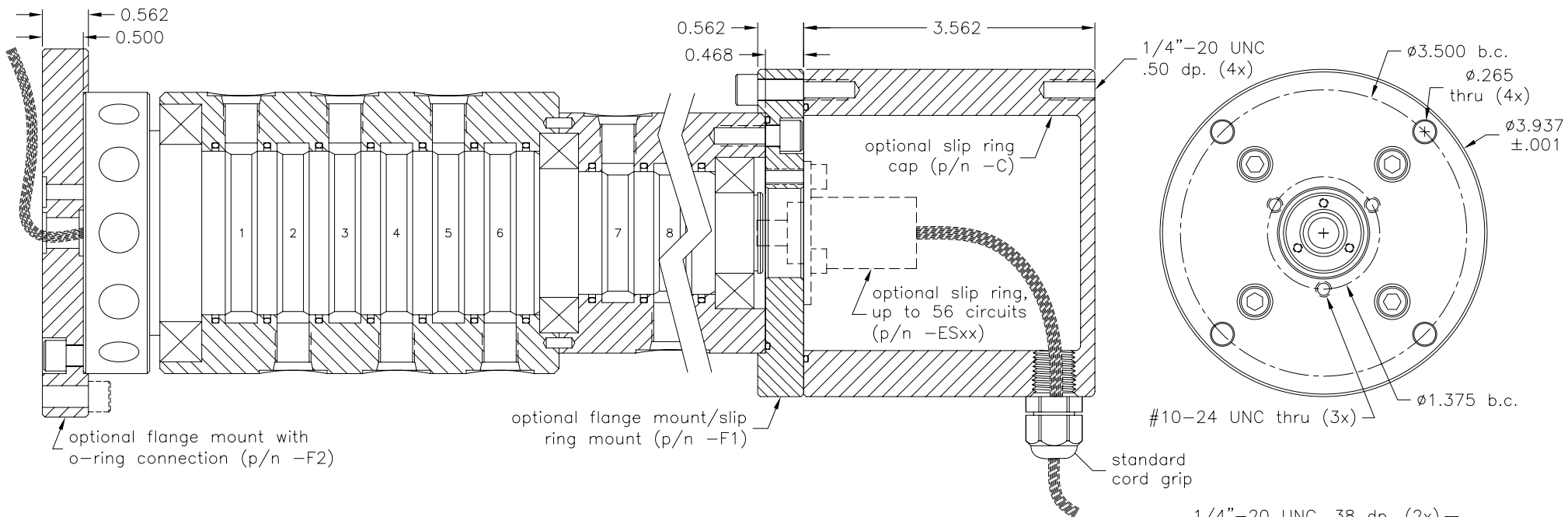
THIS DOCUMENT CONTAINS INFORMATION WHICH IS PROPRIETARY TO DYNAMIC SEALING TECHNOLOGIES, INC. (DSTI) NO REPRODUCTION OR PUBLICATION OF THIS DOCUMENT OR IT'S CONTENTS, IN WHOLE OR PART, SHALL BE MADE WITHOUT THE WRITTEN CONSENT FROM DSTI.

HSG MTL/PLTING  
CARBON STL  
BLK OXIDE

P/N:  
11121

REV:  
A

Rev	Date	Description
-	-	-



Drawn by	PJE	11/16/05
Check by	PJE	11/24/08
Check by	-	-

TOLLERANCES EXCEPT AS NOTED	
X.X	±.031
X.XX	±.010
X.XXX	±.003
ANGLES ± 0.5°	

  
**DYNAMIC SEALING TECHNOLOGIES**  
 INCORPORATED  
 13829 JAY ST NW ~ ANDOVER, MN 55304  
 866-700-DSTI (3784)

CUSTOMER APPROVAL/DATE:

FLG MTL/PLTING  
CARBON STL  
BLK OXIDE

CUSTOMER:  
**OPTIONAL EQUIPMENT**

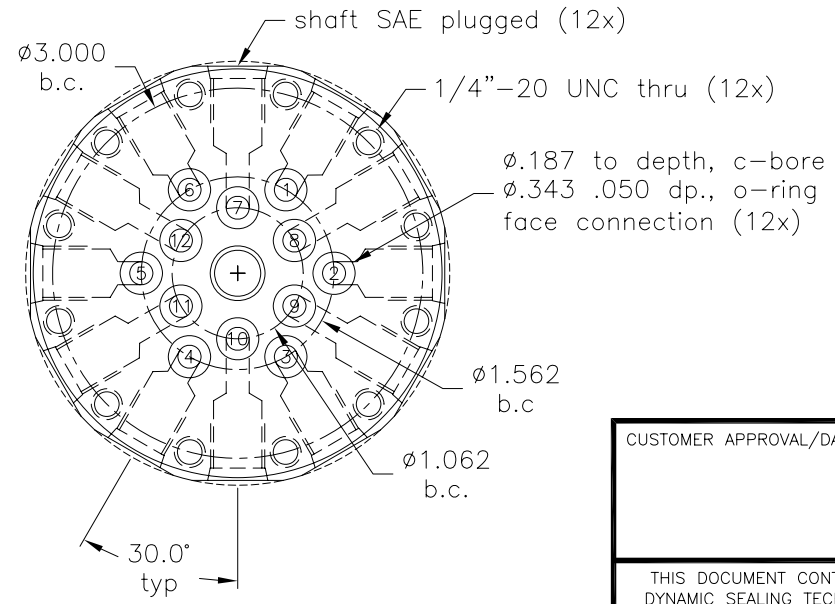
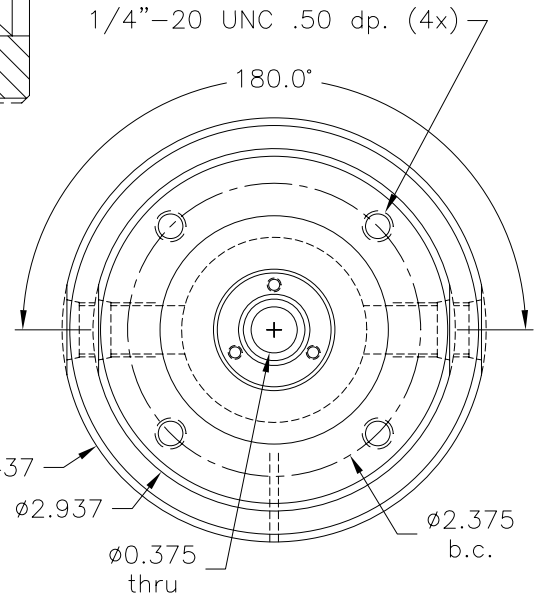
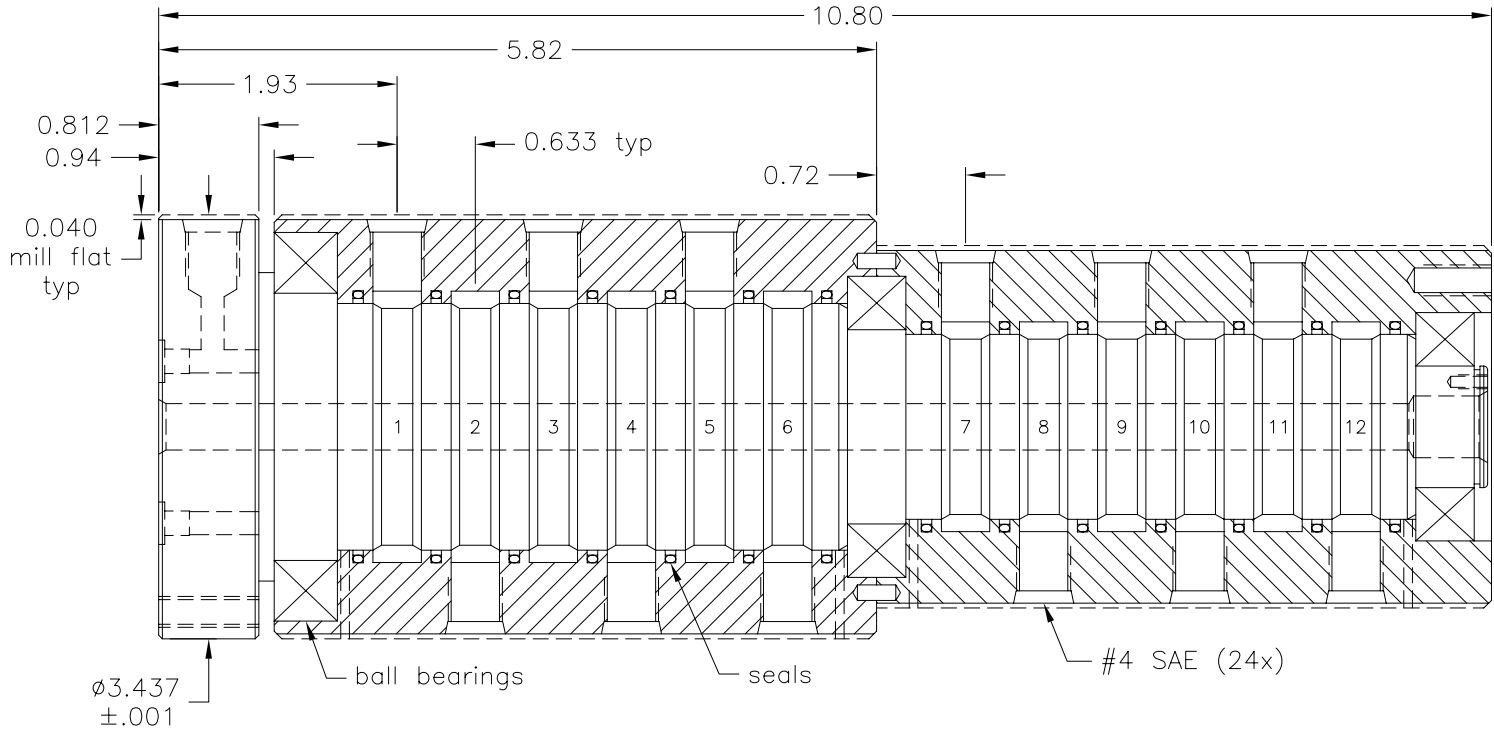
THIS DOCUMENT CONTAINS INFORMATION WHICH IS PROPRIETARY TO DYNAMIC SEALING TECHNOLOGIES, INC. (DSTI) NO REPRODUCTION OR PUBLICATION OF THIS DOCUMENT OR IT'S CONTENTS, IN WHOLE OR PART, SHALL BE MADE WITHOUT THE WRITTEN CONSENT FROM DSTI.

CAP MTL/PLTING  
ALUMINUM  
BLUE ANODIZE

P/N:  
11121-SEE NOTES

REV:  
A

Rev	Date	Description
-	-	-



Drawn by	JSM	6/1/03
Check by	PJE	11/28/05
Check by	PJE	11/24/08

TOLLERANCES EXCEPT AS NOTED	
X.X	±.031
X.XX	±.010
X.XXX	±.003
ANGLES	± 0.5°

  
**DYNAMIC SEALING TECHNOLOGIES**  
 INCORPORATED  
 13829 JAY ST NW ~ ANDOVER, MN 55304  
 866-700-DSTI (3784)

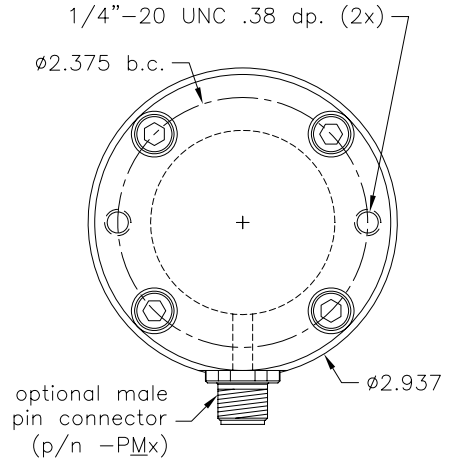
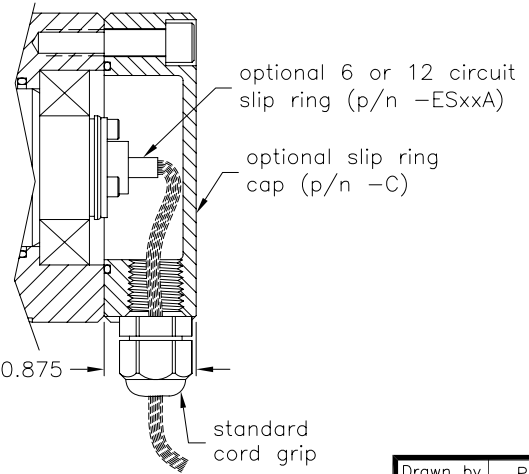
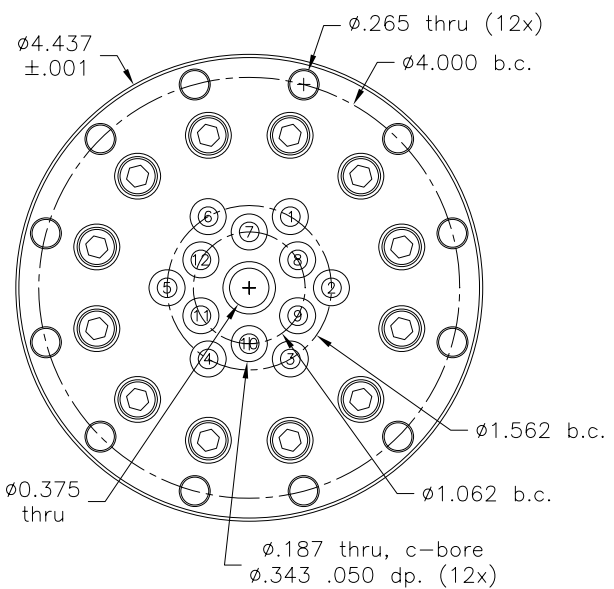
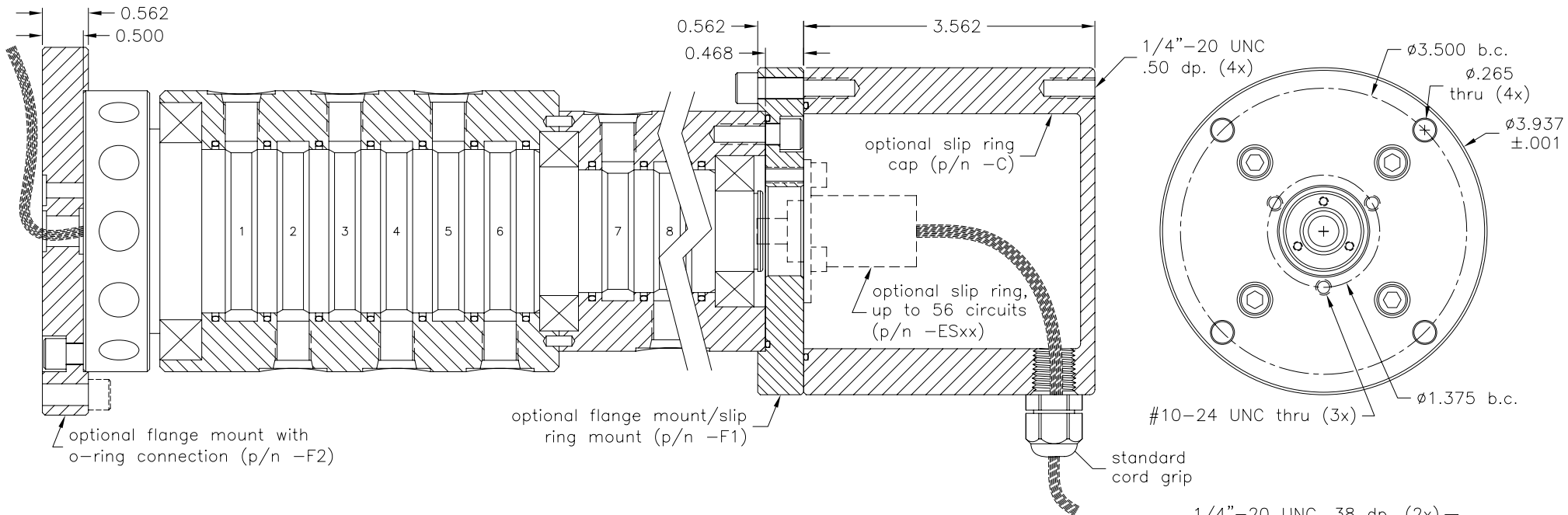
CUSTOMER APPROVAL/DATE:

THIS DOCUMENT CONTAINS INFORMATION WHICH IS PROPRIETARY TO DYNAMIC SEALING TECHNOLOGIES, INC. (DSTI) NO REPRODUCTION OR PUBLICATION OF THIS DOCUMENT OR IT'S CONTENTS, IN WHOLE OR PART, SHALL BE MADE WITHOUT THE WRITTEN CONSENT FROM DSTI.

SH MTL/PLTING	CARBON STL BLK OXIDE
HSG MTL/PLTING	CARBON STL BLK OXIDE

CUSTOMER:	STOCK
P/N:	11121-NP
REV:	A

Rev	Date	Description
-	-	-



Drawn by	PJE	11/16/05
Check by	PJE	11/24/08
Check by	-	-

TOLLERANCES  
EXCEPT AS NOTED  
X.X ±.031  
X.XX ±.010  
X.XXX ±.003  
ANGLES ± 0.5°

  
**DYNAMIC SEALING TECHNOLOGIES**  
 INCORPORATED  
 13829 JAY ST NW ~ ANDOVER, MN 55304  
 866-700-DSTI (3784)

CUSTOMER APPROVAL/DATE:

---

THIS DOCUMENT CONTAINS INFORMATION WHICH IS PROPRIETARY TO DYNAMIC SEALING TECHNOLOGIES, INC. (DSTI) NO REPRODUCTION OR PUBLICATION OF THIS DOCUMENT OR IT'S CONTENTS, IN WHOLE OR PART, SHALL BE MADE WITHOUT THE WRITTEN CONSENT FROM DSTI.

FLG MTL/PLTING  
CARBON STL  
BLK OXIDE

CAP MTL/PLTING  
ALUMINUM  
BLUE ANODIZE

CUSTOMER:  
**OPTIONAL EQUIPMENT**

P/N:  
11121-SEE NOTES

REV:  
A