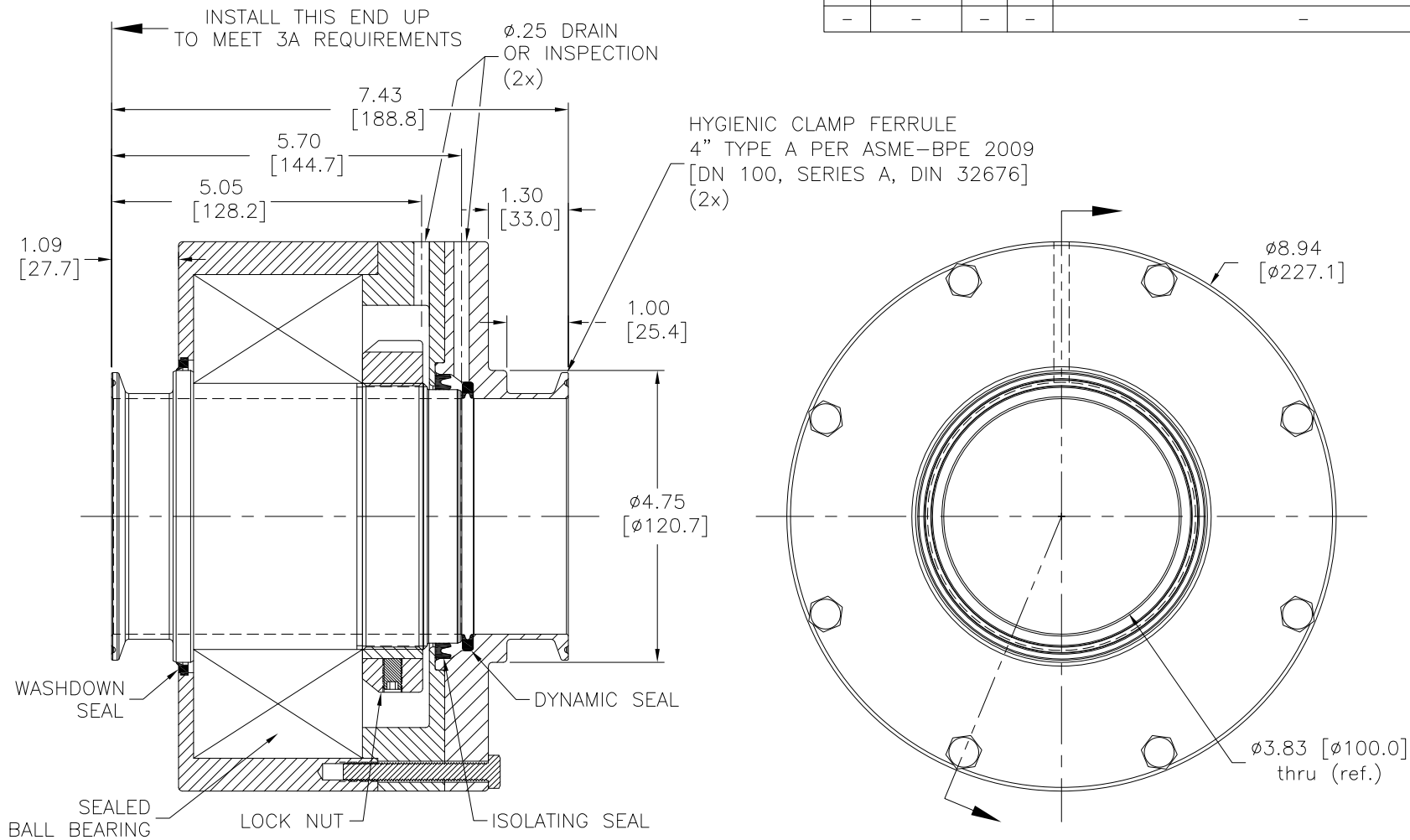


Rev:	Date	By	Chk	Description
-	-	-	-	-



NOTES:

- UNION WILL BE ROTATED FOR SEAL BREAK-IN AND STATIC AIR TESTED.
- ALTERNATE METRIC CONNECTIONS AVAILABLE BY USING SCSM IN PLACE OF SCS IN THE SERIES DESIGNATION PREFIX.
- MEDIA MUST BE FILTERED, CLEAN AND FREE OF ABRASIVE CONTENT OR REDUCED UNION LIFE WILL RESULT.
- STANDARD DYNAMIC SEAL MATERIAL IS A HIGH TEMPERATURE CAPABLE UHMWPE. THE MATERIAL IS QUALIFIED TO 3-A SANITARY STANDARD 20.
- BEARINGS ARE REPACKED WITH H1 FOOD GRADE LUBRICANT AT ASSEMBLY AND MAINTENANCE.
- INDICATION MARKS ON THE HOUSING SHOW ORIENTATION IF DRAINABILITY OF THE SEAL AREA IS A NECESSITY PER 3A DESIGN STANDARD.
- DESIGNED WITH REFERENCE TO 3A ACCEPTED PRACTICE MANUAL, #00-03.
- UNION REQUIRES COP OR MANUAL CLEANING OF INSPECTION AREAS.
- ALL SURFACES ARE 32 Ra OR BETTER.

Drawn	RAK	2/8/12
Checked	DMS	2/8/12
Checked	PJE	3/22/12

TOLERANCE EXCEPT AS NOTED
X.X ±.050
X.XX ±.015
X.XXX ±.005
ANGLES ± 0.5°

CUSTOMER APPROVAL/DATE:

SHAFT MTL/PLTING:
316 SSTL
PASSIVATE
TDC

CUSTOMER:
STANDARD PRODUCT

THIS DOCUMENT CONTAINS INFORMATION WHICH IS PROPRIETARY TO SCOTT ROTARY SEALS (SRS). NO REPRODUCTION OR PUBLICATION OF THIS DOCUMENT OR IT'S CONTENTS, IN WHOLE OR PART, SHALL BE MADE WITHOUT THE WRITTEN CONSENT FROM SRS.

HOUSING MTL/PLTING:
316 SSTL
PASSIVATE

P/N: SCS(M)-613010
REV: A

