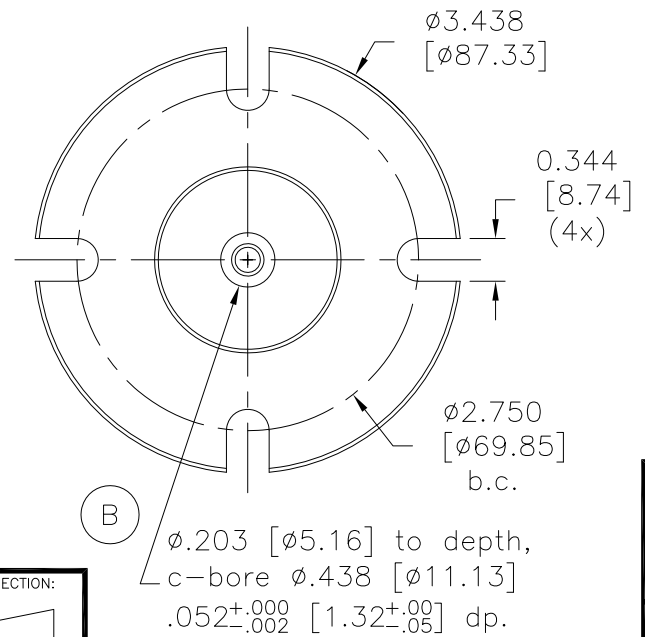
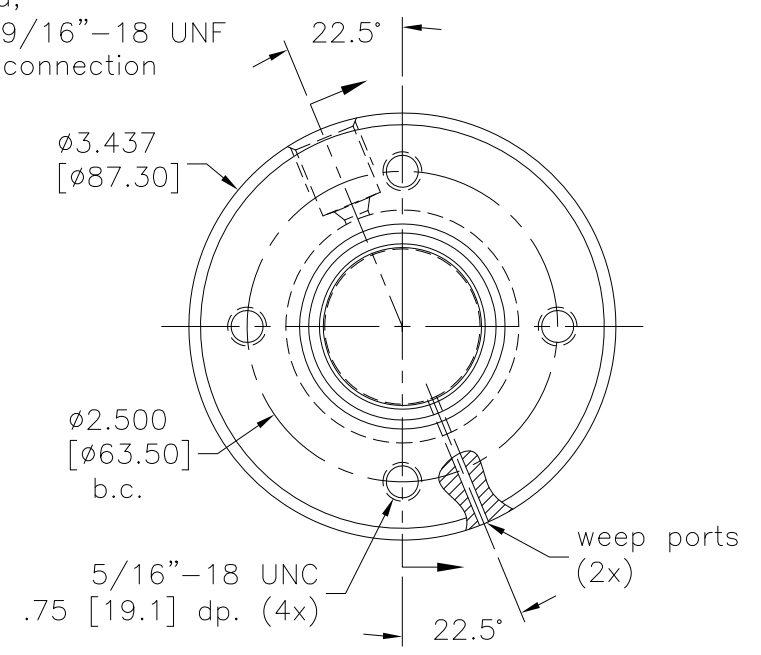
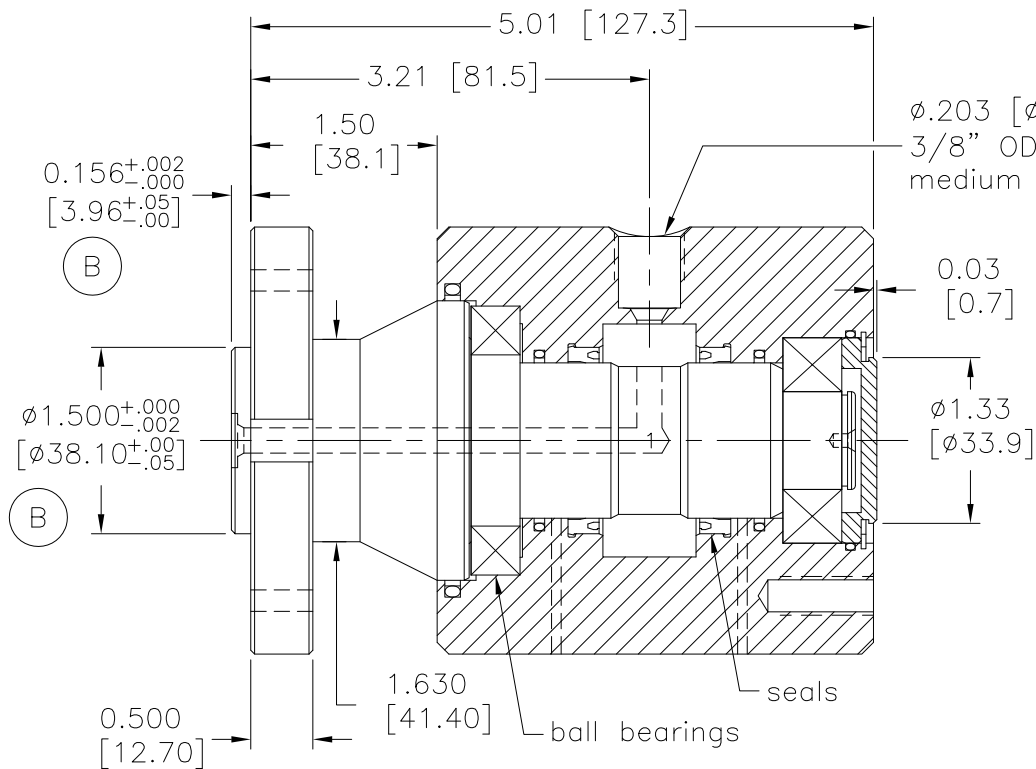
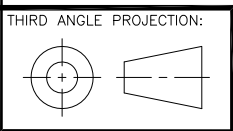


Rev:	Date	By	Chk	Description
A.1	11/22/11	PJE	DJB	ECO 0011
B	11/22/11	PJE	DJB	ECO 0012



Notes:

1. Union will be rotated for seal break-in and static hydraulic fluid tested.
2. Media must be filtered, clean and free of abrasive content or reduced union life will result.
3. Maximum operational pressure is 15,000 PSI during rotation* and 20,000 PSI static. Maximum proof test pressure rating is 30,000 PSI.
 *Contact DSTI for details.



Drawn	TCB	3/4/11	TOLERANCE EXCEPT AS NOTED X.X ±.125 X.XX ±.015 X.XXX ±.005 ANGLES ± 0.5°	 DYNAMIC SEALING TECHNOLOGIES, INC <small>13829 JAY ST NW ~ ANDOVER, MN 55304 866-700-DSTI (3784)</small>
Checked	RAW	3/17/11		
Checked	PJE	11/22/11		
CUSTOMER APPROVAL/DATE:			SHAFT MTL/PLTING: 17-4 SSSL H900 40-47 Rc TDC	CUSTOMER: STOCK
THIS DOCUMENT CONTAINS INFORMATION WHICH IS PROPRIETARY TO DYNAMIC SEALING TECHNOLOGIES, INC. (DSTI) NO REPRODUCTION OR PUBLICATION OF THIS DOCUMENT OR IT'S CONTENTS, IN WHOLE OR PART, SHALL BE MADE WITHOUT THE WRITTEN CONSENT FROM DSTI.			HOUSING MTL/PLTING: 17-4 SSSL H1150 28-37 Rc	P/N: HPS-4310
				REV: B