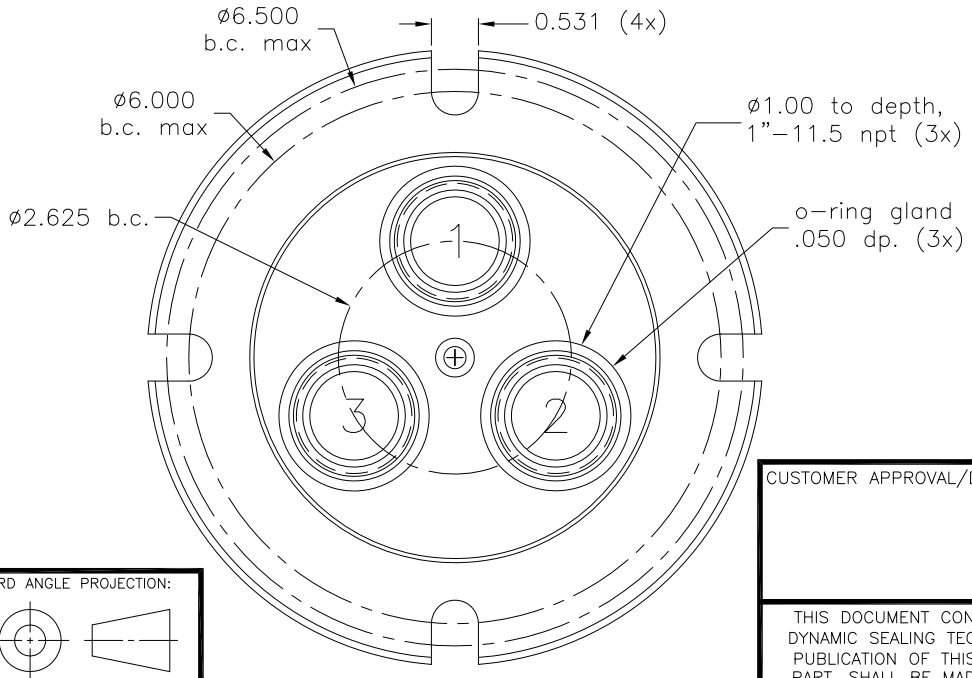
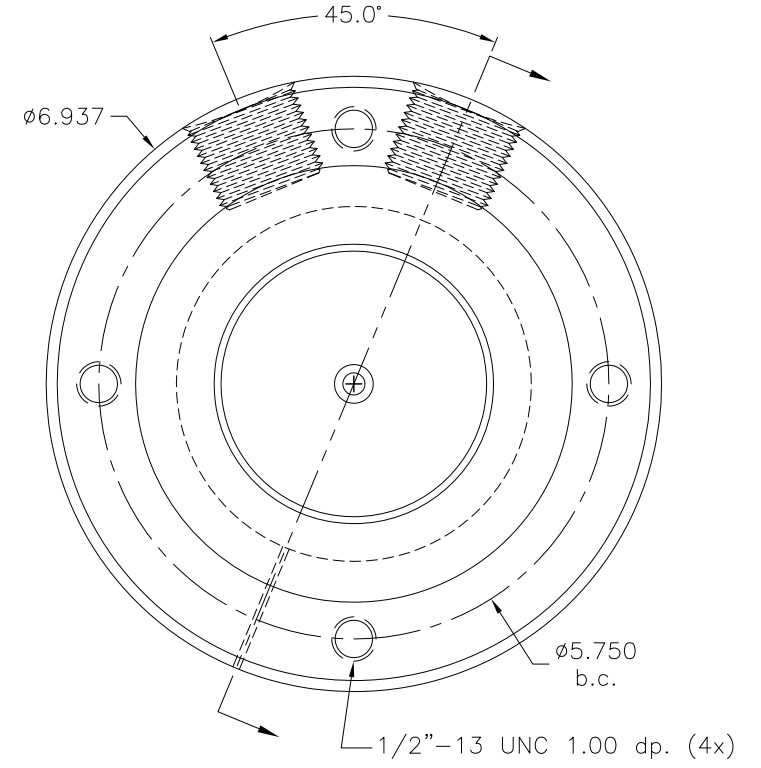
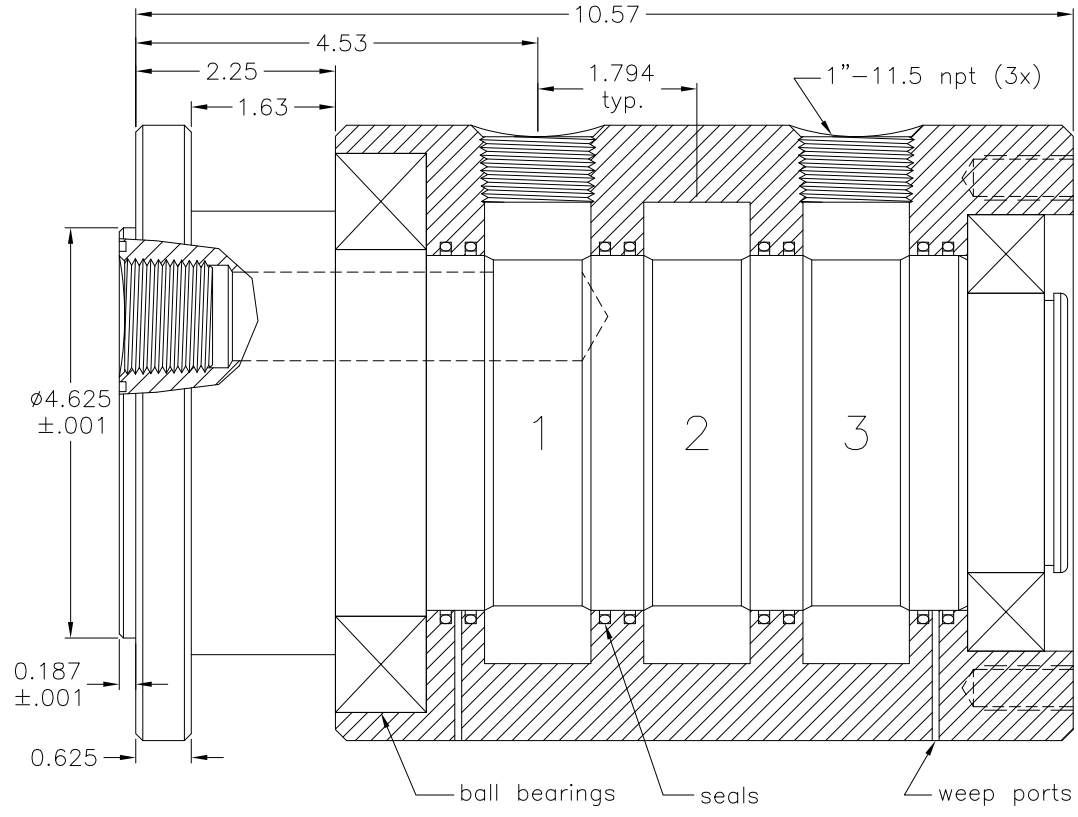


Rev:	Date	By	Chk	Description
-	-	-	-	-



Notes:

1. Union will be rotated for seal break-in and static air tested.
2. Media must be filtered, clean and free of abrasive content or reduced union life will result.
3. Union is available in stainless steel construction and is designated as "GPS-" in place of "GP-".

Drawn	PJE	7/25/06
Checked	PJE	10/29/08
Checked	-	-

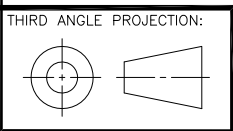
TOLERANCE EXCEPT AS NOTED	
X.X	±.125
X.XX	±.015
X.XXX	±.005
ANGLES	± 0.5°



CUSTOMER APPROVAL/DATE:

SHAFT MTL/PLTING:	CARBON STL BLK OXIDE
HOUSING MTL/PLTING:	CARBON STL BLK OXIDE

CUSTOMER:	STOCK
P/N:	GP(S)-630
REV:	A



THIS DOCUMENT CONTAINS INFORMATION WHICH IS PROPRIETARY TO DYNAMIC SEALING TECHNOLOGIES, INC. (DSTI) NO REPRODUCTION OR PUBLICATION OF THIS DOCUMENT OR IT'S CONTENTS, IN WHOLE OR PART, SHALL BE MADE WITHOUT THE WRITTEN CONSENT FROM DSTI.