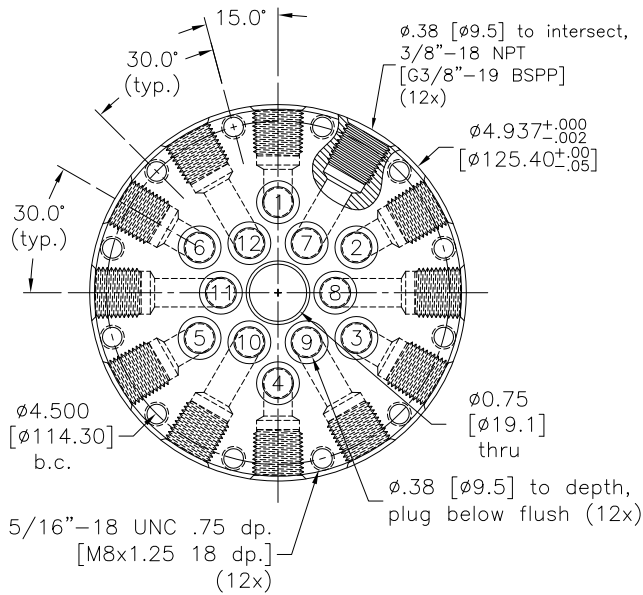
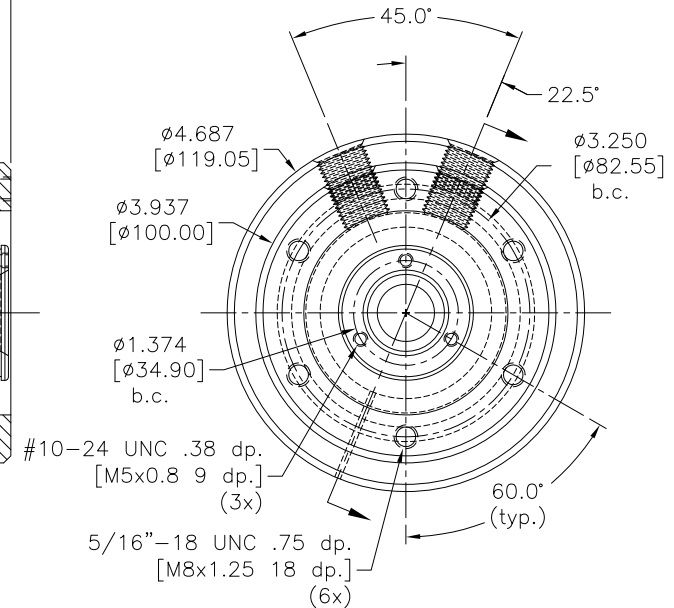
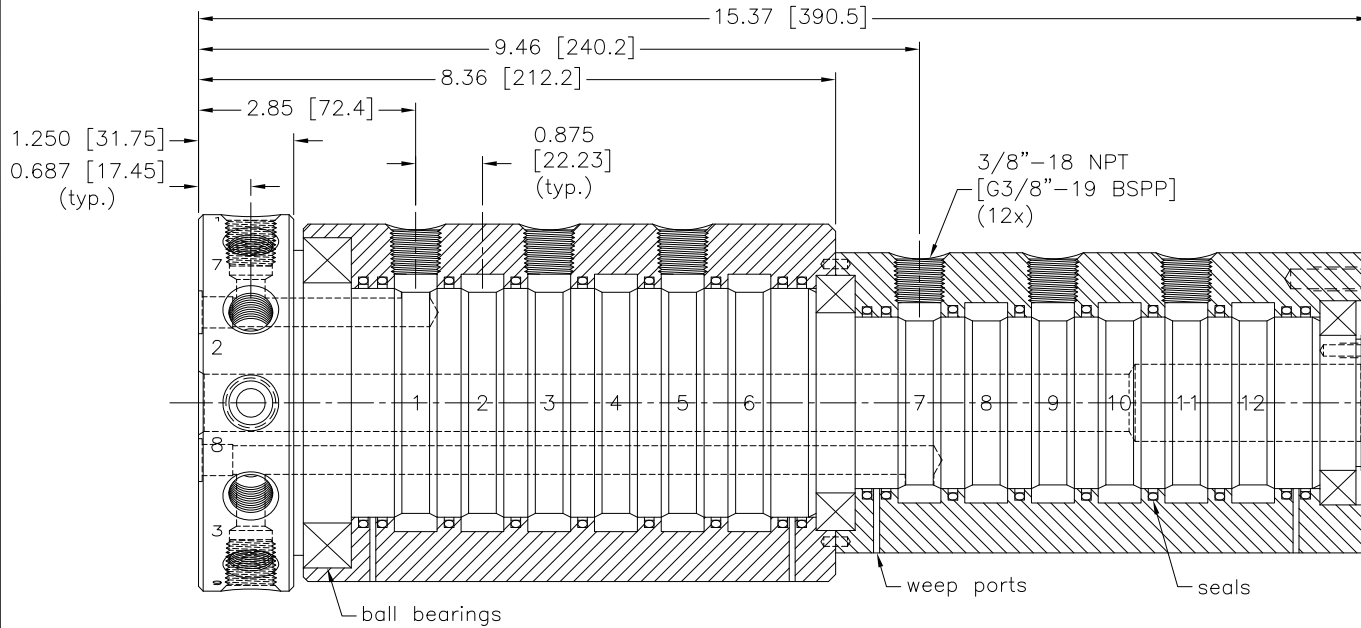


Rev:	Date	By	Chk	Description
A.1	12/5/11	PJE	DJB	Updated title block and added dual dimensions. Added stainless steel and metric options.
A.2	3/4/13	PJE	RAW	ECO 0024



Notes:

1. Union will be rotated for seal break-in and static air tested.
2. Media must be filtered, clean and free of abrasive content or reduced union life will result.
3. Stainless steel union construction available by using GPS in place of GP in the series designation prefix.
4. Metric connections and threads available by using GPM in place of GP in the series designation prefix.
5. Stainless steel union construction and metric connections/threads available by using GPSM in place of GP in the series designation prefix.
6. See SHEETS 2 and 3 for product options.

Drawn	JSM	1/20/02
Checked	PJE	1/12/06
Checked	RAW	1/13/06

TOLERANCE EXCEPT AS NOTED	
X.X	±.125
X.XX	±.015
X.XXX	±.005
ANGLES	± 0.5°



CUSTOMER APPROVAL/DATE:

SHAFT MTL/PLTNG:
 CARBON STL / 17-4 SSSL
 60-62 Rc / 40-47 Rc
 BLK OXIDE / TDC

CUSTOMER:

STOCK

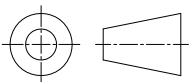
HOUSING MTL/PLTNG:
 CARBON STL / 303 SSSL
 BLK OXIDE /

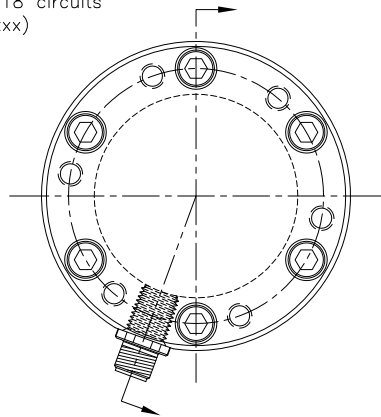
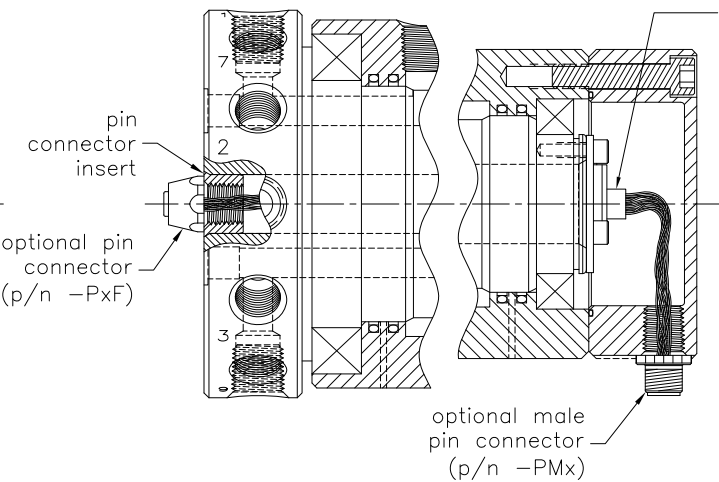
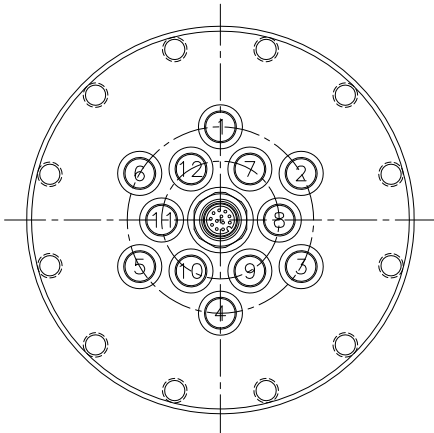
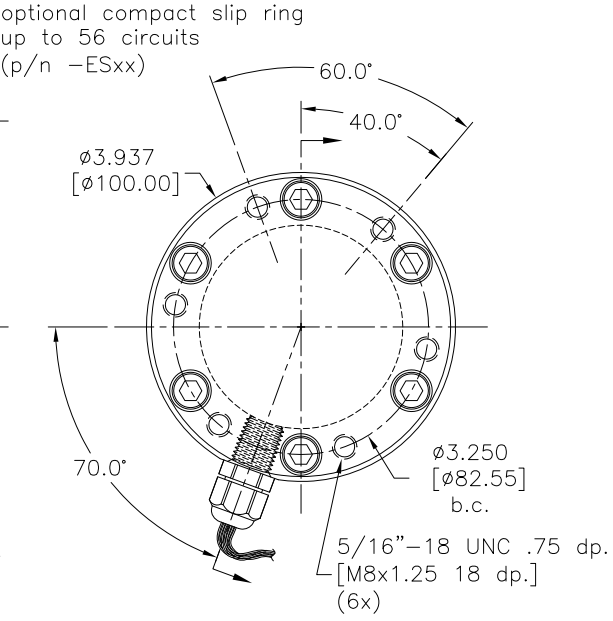
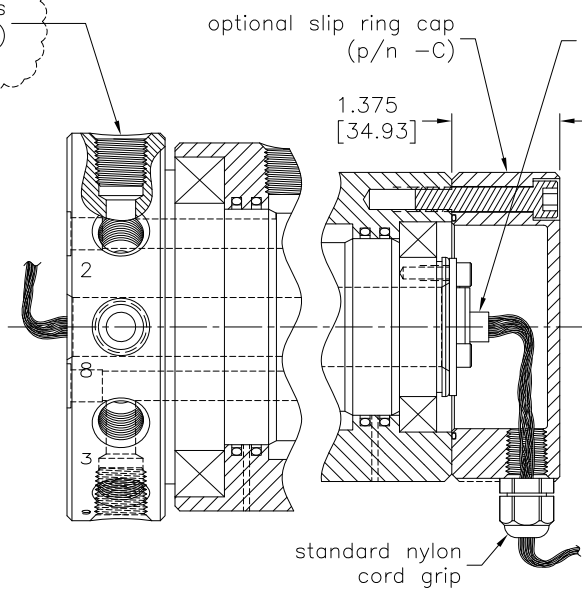
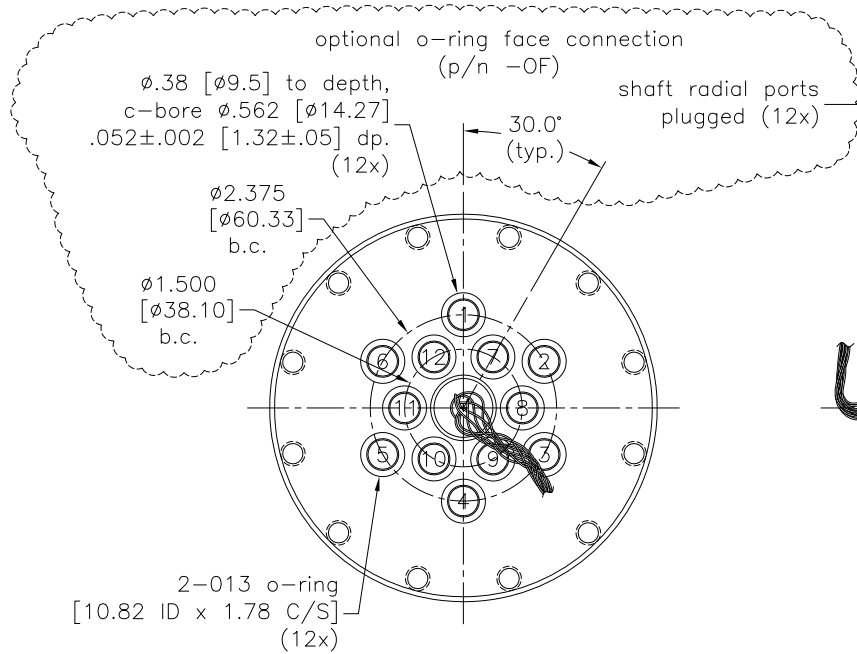
P/N:
 GP(S)(M)-301-12

REV:
 A.2

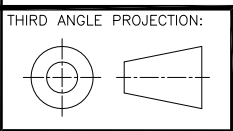
THIS DOCUMENT CONTAINS INFORMATION WHICH IS PROPRIETARY TO DYNAMIC SEALING TECHNOLOGIES, INC. (DSTI) NO REPRODUCTION OR PUBLICATION OF THIS DOCUMENT OR IT'S CONTENTS, IN WHOLE OR PART, SHALL BE MADE WITHOUT THE WRITTEN CONSENT FROM DSTI.

THIRD ANGLE PROJECTION:





- Notes:
- Optional male AND female pin connector (p/n -PMF).
 - Contact DSTI for details about slip rings and pin connectors.



Drawn	PJE	2/9/06
Checked	PJE	4/18/08
Checked	PJE	12/5/11

TOLERANCE EXCEPT AS NOTED	
X.X	$\pm .125$
X.XX	$\pm .015$
X.XXX	$\pm .005$
ANGLES	$\pm 0.5^\circ$

CAP MTL/PLTING:
6061 ALUM
BLUE ANODIZE

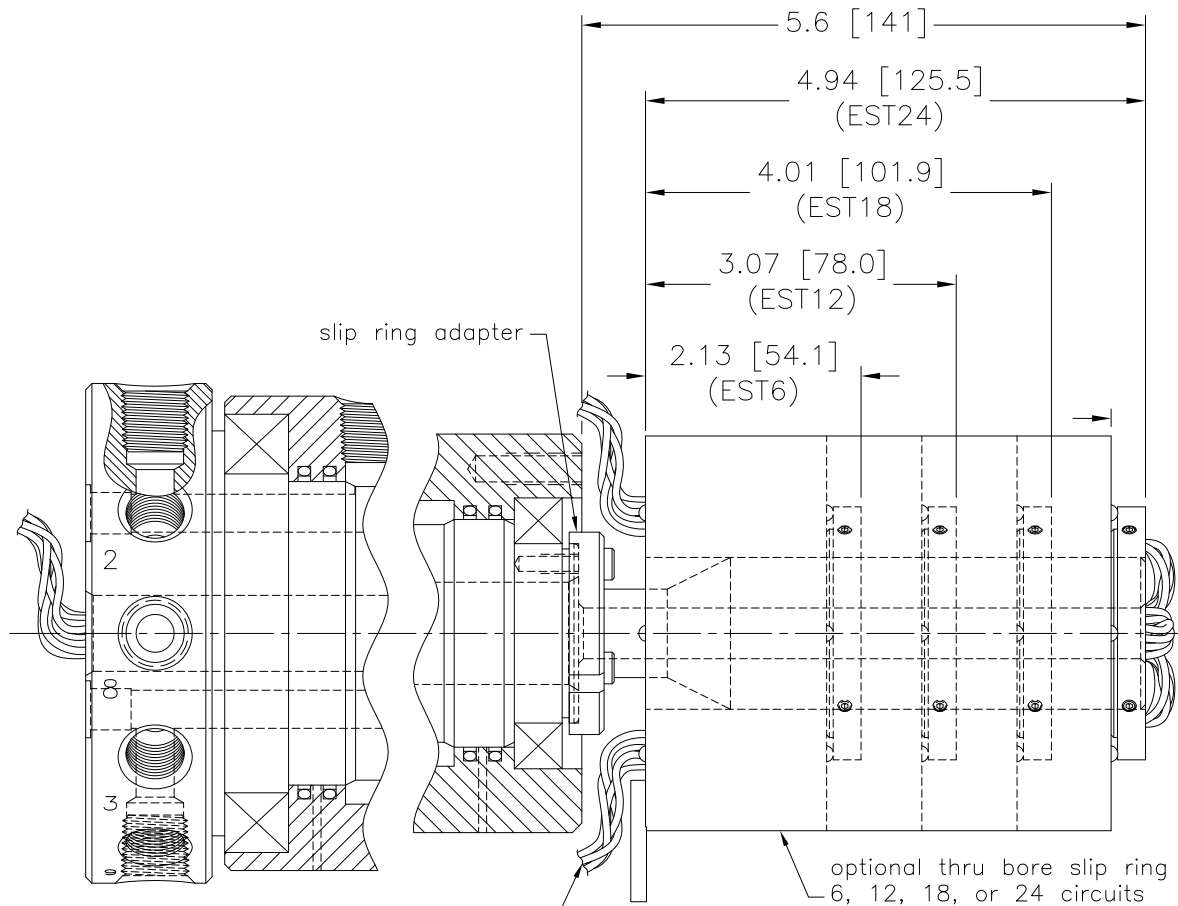
PIN CONNECTOR INSERT MTL/PLTING:
6061 ALUM
BLUE ANODIZE



CUSTOMER: STOCK

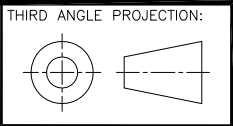
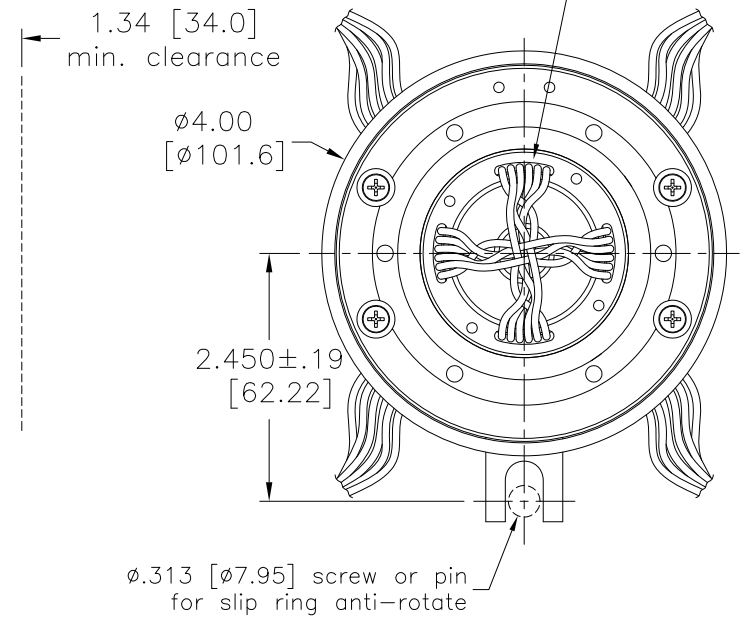
P/N: GP(S)(M)-301-12 REV: A.2

THIS DOCUMENT CONTAINS INFORMATION WHICH IS PROPRIETARY TO DYNAMIC SEALING TECHNOLOGIES, INC. (DSTI) NO REPRODUCTION OR PUBLICATION OF THIS DOCUMENT OR IT'S CONTENTS, IN WHOLE OR PART, SHALL BE MADE WITHOUT THE WRITTEN CONSENT FROM DSTI.



- 1) wire bundle for EST6
- 2) wire bundles for EST12
- 3) wire bundles for EST18
- 4) wire bundles for EST24

- 1) wire bundle for EST6
- 2) wire bundles for EST12
- 3) wire bundles for EST18
- 4) wire bundles for EST24



THIS DOCUMENT CONTAINS INFORMATION WHICH IS PROPRIETARY TO DYNAMIC SEALING TECHNOLOGIES, INC. (DSTI) NO REPRODUCTION OR PUBLICATION OF THIS DOCUMENT OR IT'S CONTENTS, IN WHOLE OR PART, SHALL BE MADE WITHOUT THE WRITTEN CONSENT FROM DSTI.

TOLERANCE EXCEPT AS NOTED	
X.X	±.125
X.XX	±.015
X.XXX	±.005
ANGLES	± 0.5°

DYNAMIC SEALING TECHNOLOGIES, INC
 13829 JAY ST NW ~ ANDOVER, MN 55304
 866-700-DSTI (3784)

Drawn	PJE	12/5/11
Checked	PJE	3/4/13
Checked	RAW	3/27/13

ADAPTER MTL/PLTING:
 6061 ALUM
 BLUE ANODIZE

CUSTOMER:
 STOCK

P/N:
 GP(S)(M)-301-12

REV:
 A.2