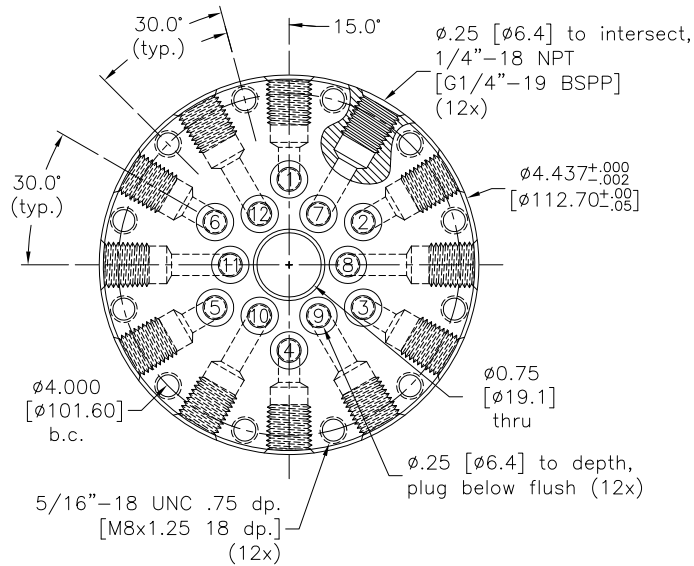
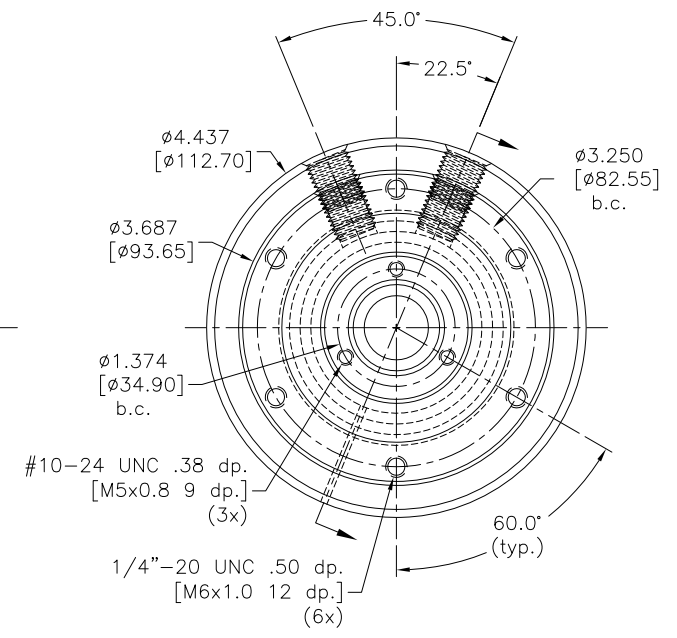
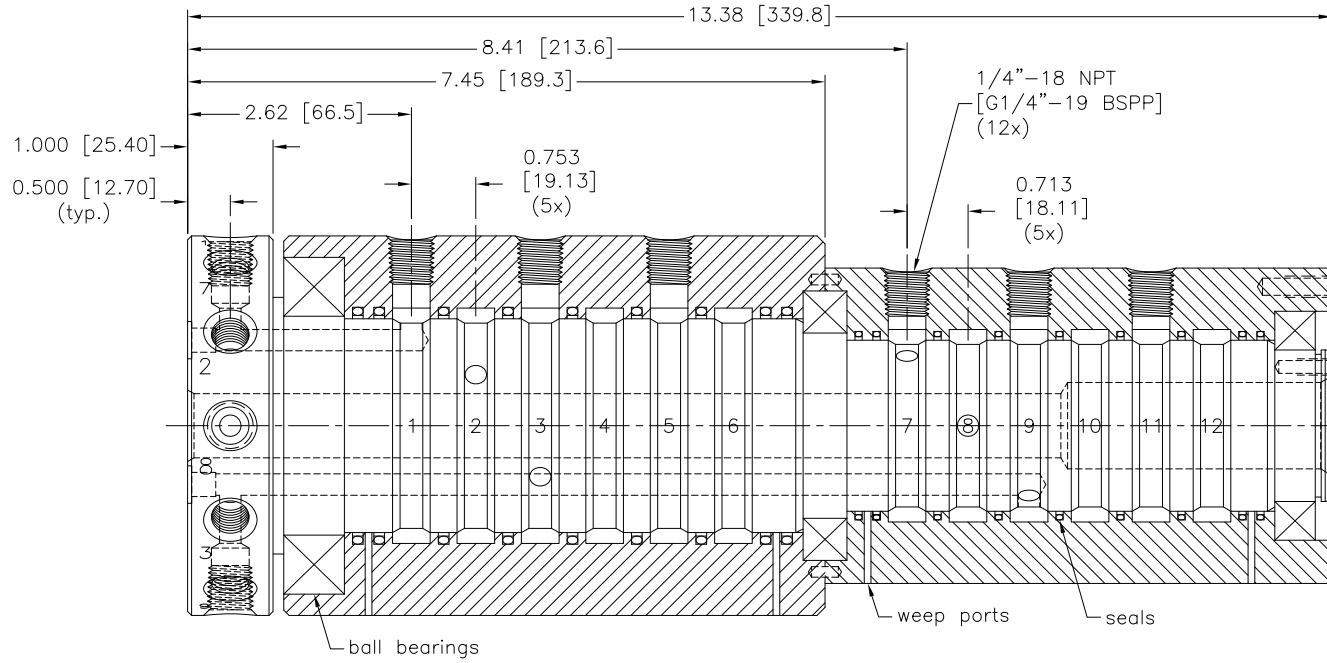
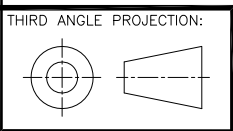


Rev:	Date	By	Chk	Description
A.1	4/22/13	PJE	AKH	ECO 0024



**Notes:**

1. Union will be rotated for seal break-in and static air tested.
2. Media must be filtered, clean and free of abrasive content or reduced union life will result.
3. Stainless steel union construction available by using GPS in place of GP in the series designation prefix.
4. Metric connections and threads available by using GPM in place of GP in the series designation prefix.
5. Stainless steel union construction and metric connections/threads available by using GPSM in place of GP in the series designation prefix.
6. See SHEETS 2 and 3 for product options.



CUSTOMER APPROVAL/DATE:

THIS DOCUMENT CONTAINS INFORMATION WHICH IS PROPRIETARY TO DYNAMIC SEALING TECHNOLOGIES, INC. (DSTI) NO REPRODUCTION OR PUBLICATION OF THIS DOCUMENT OR IT'S CONTENTS, IN WHOLE OR PART, SHALL BE MADE WITHOUT THE WRITTEN CONSENT FROM DSTI.

Drawn	JSM	1/20/02
Checked	PJE	9/26/07
Checked	PJE	4/18/08

TOLERANCE EXCEPT AS NOTED	
X.X	±.125
X.XX	±.015
X.XXX	±.005
ANGLES	± 0.5°

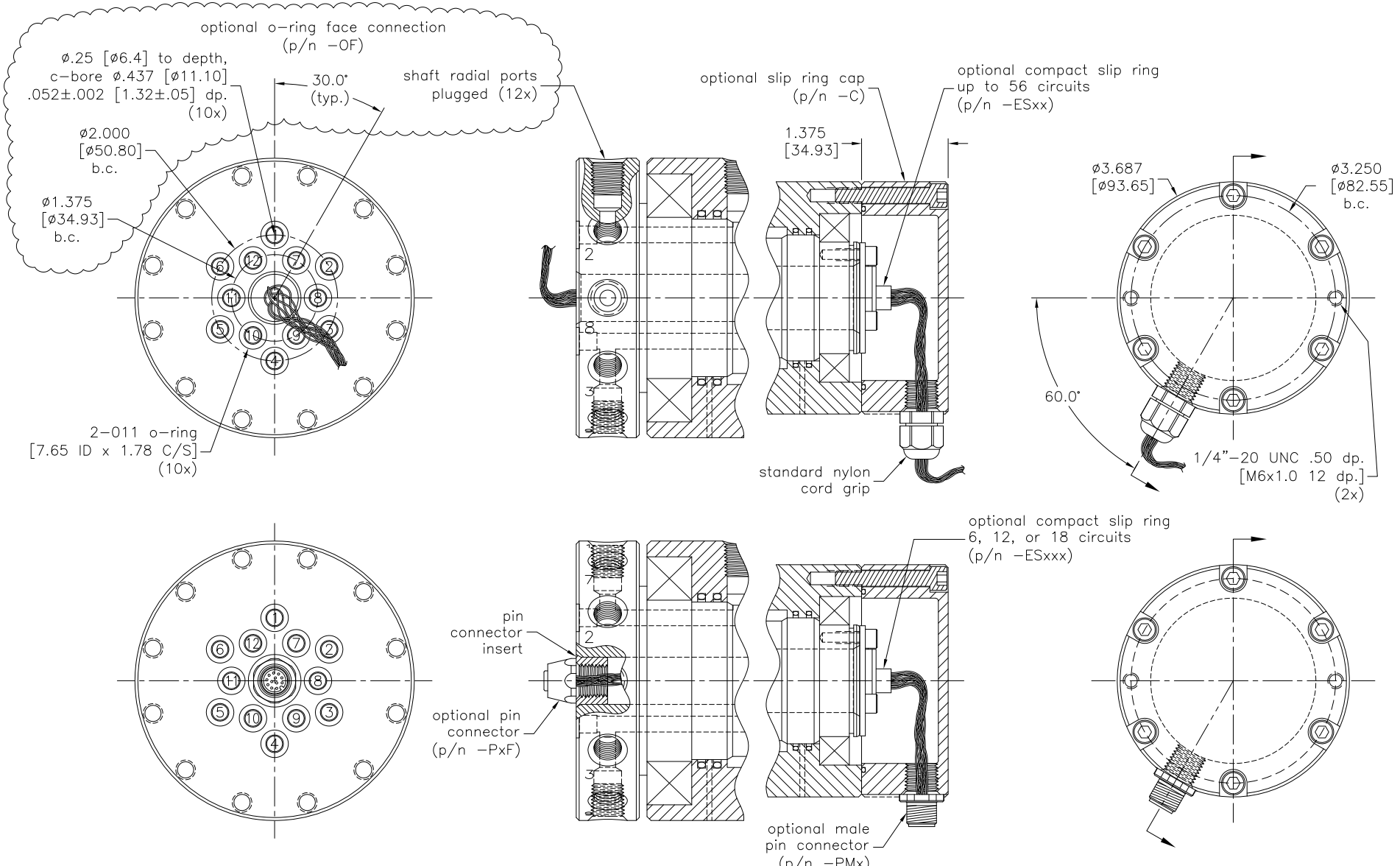
SHAFT MTL/PLTING:	CARBON STL / 17-4 SSSL
	60-62 Rc / 40-47 Rc
	BLK OXIDE / TDC

HOUSING MTL/PLTING:	CARBON STL / 303 SSSL
	BLK OXIDE /

**DYNAMIC SEALING TECHNOLOGIES, INC**  
 13829 JAY ST NW ~ ANDOVER, MN 55304  
 866-700-DSTI (3784)

CUSTOMER: STOCK

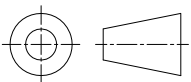
P/N: GP(S)(M)-201-12  
 REV: A.1



Notes:

1. Optional male AND female pin connector (p/n -PMF).
2. Contact DSTI for details about slip rings and pin connectors.

THIRD ANGLE PROJECTION:



TOLERANCE EXCEPT AS NOTED	
X.X	$\pm .125$
X.XX	$\pm .015$
X.XXX	$\pm .005$
ANGLES	$\pm 0.5^\circ$

13829 JAY ST NW ~ ANDOVER, MN 55304  
866-700-DSTI (3784)

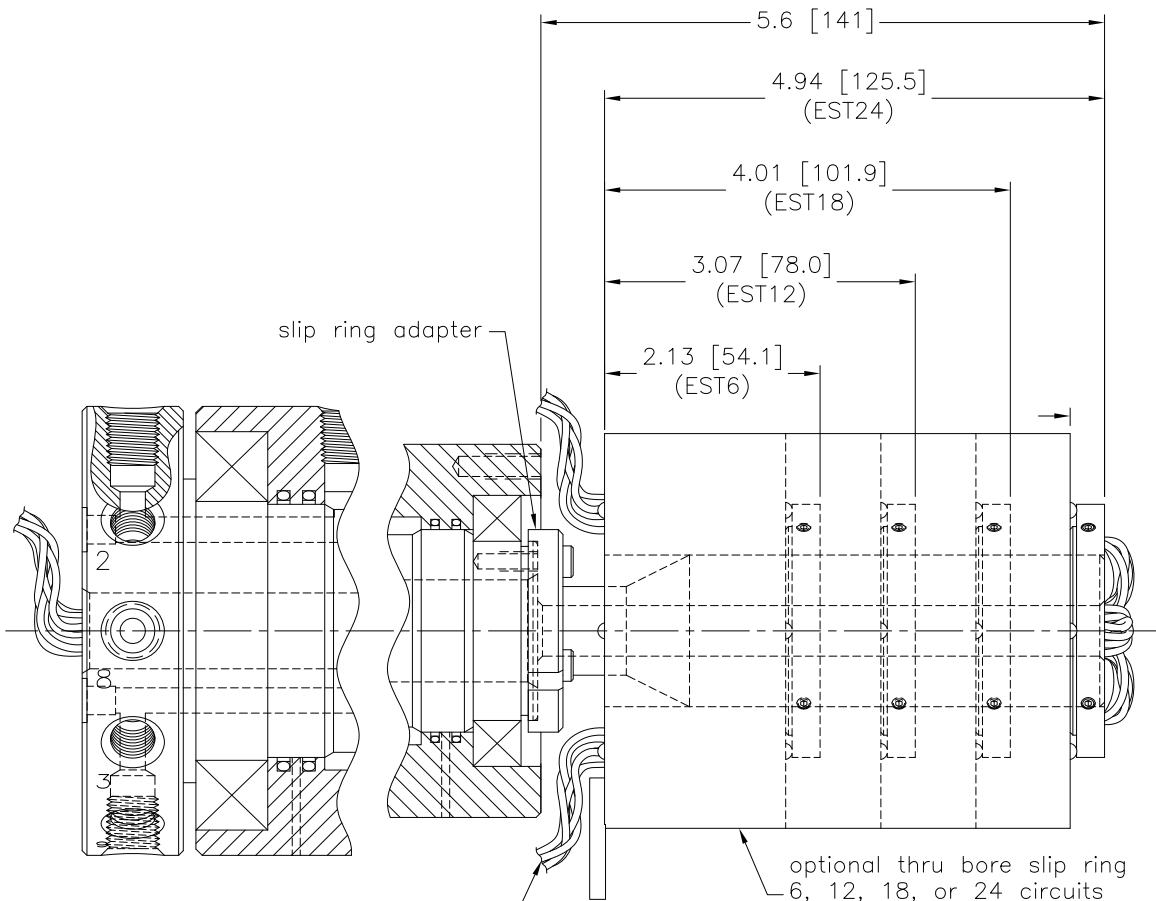
Drawn	KCP	11/30/10	CAP MTL/PLTING:
Checked	RAW	12/7/10	6061 ALUM
Checked	PJE	12/13/10	BLUE ANODIZE

CUSTOMER: STOCK

THIS DOCUMENT CONTAINS INFORMATION WHICH IS PROPRIETARY TO DYNAMIC SEALING TECHNOLOGIES, INC. (DSTI) NO REPRODUCTION OR PUBLICATION OF THIS DOCUMENT OR IT'S CONTENTS, IN WHOLE OR PART, SHALL BE MADE WITHOUT THE WRITTEN CONSENT FROM DSTI.

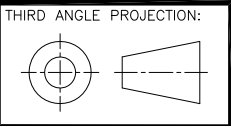
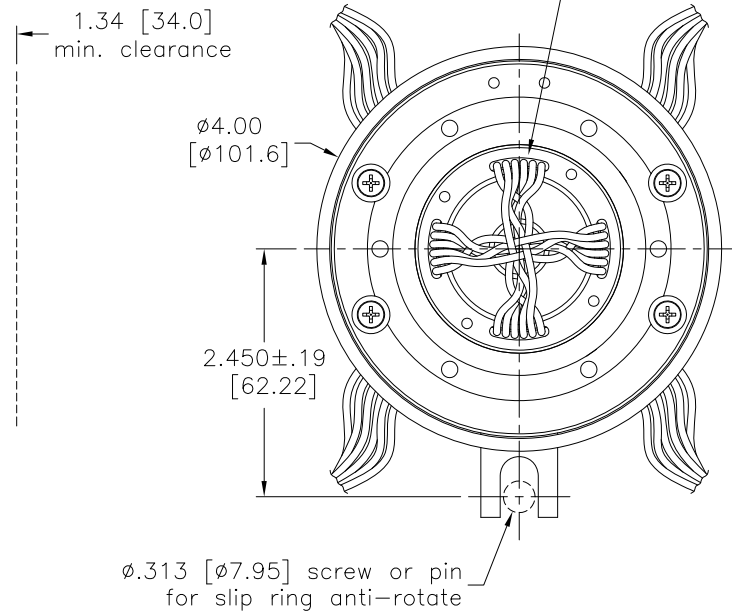
PIN CONNECTOR INSERT MTL/PLTING: 6061 ALUM BLUE ANODIZE

P/N: GP(S)(M)-201-12  
REV: A.1



- 1) wire bundle for EST6
- 2) wire bundles for EST12
- 3) wire bundles for EST18
- 4) wire bundles for EST24

- 1) wire bundle for EST6
- 2) wire bundles for EST12
- 3) wire bundles for EST18
- 4) wire bundles for EST24



THIS DOCUMENT CONTAINS INFORMATION WHICH IS PROPRIETARY TO DYNAMIC SEALING TECHNOLOGIES, INC. (DSTI) NO REPRODUCTION OR PUBLICATION OF THIS DOCUMENT OR IT'S CONTENTS, IN WHOLE OR PART, SHALL BE MADE WITHOUT THE WRITTEN CONSENT FROM DSTI.

TOLERANCE EXCEPT AS NOTED

X.X	±.125
X.XX	±.015
X.XXX	±.005
ANGLES	± 0.5°

Drawn	PJE	6/14/07
Checked	PJE	4/22/13
Checked	AKH	5/2/13

ADAPTER MTL/PLTING:  
6061 ALUM  
BLUE ANODIZE

CUSTOMER: STOCK

P/N: GP(S)(M)-201-12  
REV: A.1